

AMHD-R Heavy Duty Solar Battery Box: Snap Latch Hinged Cover

APPLICATION

- Ideal design to insulate and house off grid heavy duty solar batteries for various telemetry applications in outdoor locations
- Especially well suited for high temperature or corrosive environments
- Protects from UV, dirt, dust, oil and water

STANDARDS

- UL Types 1, 2, 3, 4, 4X, 12, and 13
- CSA Types 1, 2, 3, 3R, 4, 4X, 12 and 13
- NEMA Types 1, 2, 3, 3R, 4, 4X, 12 and 13
- IEC 60529 Type IP66
- Compliant with RoHS directive (Restriction of Hazardous Substances)

CONSTRUCTION

- Strong, molded Ultraguard® fiberglass reinforced polyester material construction with matching raised cover
- 300 series stainless steel snap latches feature padlock hasp
- Continuous 300 series stainless steel hinge
- Gasket made of closed-cell neoprene cord encased in a continuous channel
- Polycarbonate flanges installed with (4) 300 series stainless steel screws
- 10-32 threaded inserts are installed for optional back panel
- Ultraguard® fiberglass material is easily punched, drilled or sawed
- UV stabilized for outdoor use

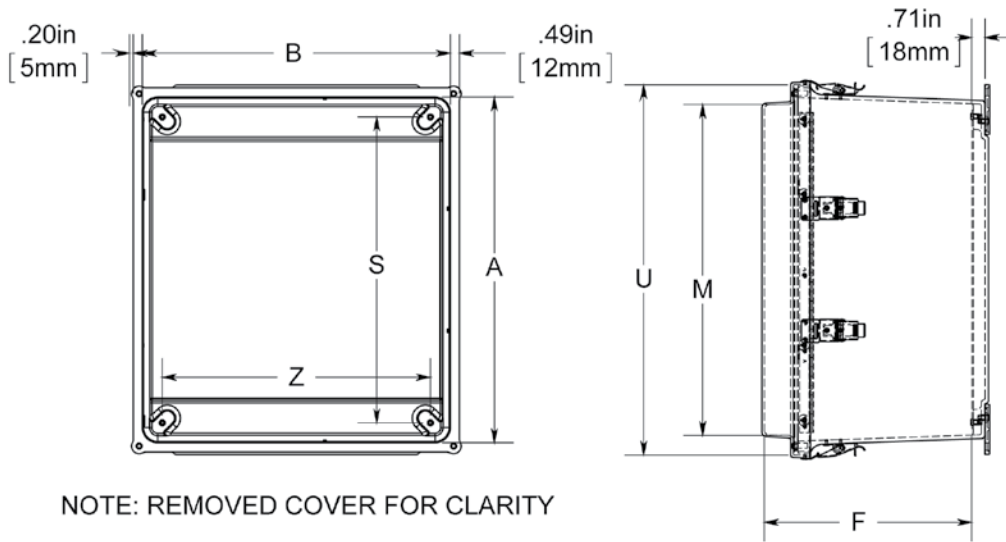
ACCESSORIES

- Optional back panels: White painted steel (P186), Aluminum (PA186)
- Optional pole mount kit: AMPOLEMNT16

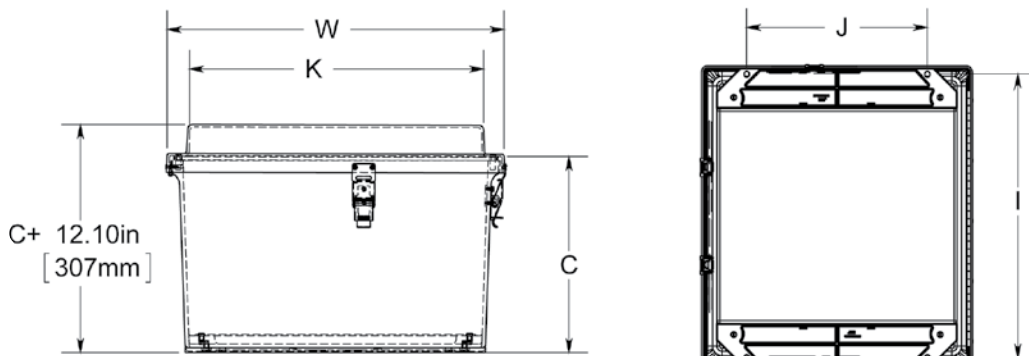


**ALLIED
MOULDED
PRODUCTS, Inc.**

www.alliedmoulded.com

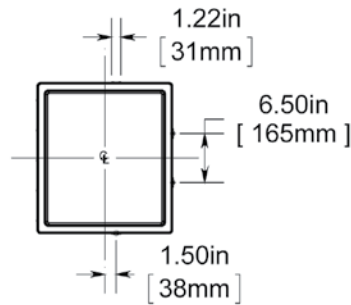


NOTE: REMOVED COVER FOR CLARITY



Nominal .200" (5mm) wall thickness

LATCH LOCATIONS



Part No.	Box Size			Usable Depth	Panel Boss Centers		Panel Sizes		Flange Mount Centers		Cover Size			
	A	B	C		F	S	Z	Height	Width	J	I	K	M	U
AMHD1860RLF	18.24 463mm	16.24 412mm	10.13 257mm	11.01 280mm	16.25 413mm	14.25 362mm	16.88 429mm	14.88 378mm	12.00 305mm	18.88, 18.76 480mm, 477mm	15.22 387mm	17.72 450mm	19.91 506mm	17.91 455mm

All dimensions are in inches unless otherwise noted.



**ALLIED
MOULDED
PRODUCTS, Inc.**

222 North Union St. • Bryan, OH 43506 • 419.636.4217 • Fax: 800.237.7269 • www.alliedmoulded.com