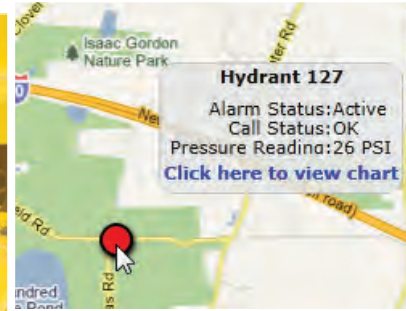


HPR-32 Series Hydrant Pressure Recorder

Paperless, Wireless Pressure Recording, No More Chart Recorders



View exact location of your hydrant pressure recorders on a map.

Telog's original line of hydrant pressure recorders was designed to replace costly, high maintenance chart recorders for monitoring water pressure in distribution systems. The HPR-32 series is Telog's next generation of paperless, hydrant pressure recorders and incorporates wireless technology for hands-off data transfer straight to your desktop.

Applications Include:

- Investigating pressure complaints
- Fire flow testing
- Pressure loss tests
- Calibrating hydraulic models
- Monitoring system pressures
- Hydrant capacity testing
- High speed sampling to 4 samples/sec



High impact nylon security cover prevents vandalism.

Features

Wireless Communication: The power of every 32 series recorder from Telog is wireless data transfer capability. Using cellular technology enables unmanned monitoring of remote sites as well as instant updates and alarm notifications.

Battery Power: All Telog hydrant pressure recorders have low power requirements so they can be battery operated. The HPR-32 series uses a single, user-replaceable D cell lithium battery. At a typical two calls per day, the battery will last up to five years.

Packaging and Installation: Every hydrant pressure recorder from Telog is a low-profile, rugged unit that is easily installed by one person on a standard 2.5 inch hose nozzle outlet. For ease of mind an optional security cover can be used to prevent vandalism. Once installed, data is immediately available using Telogers for Windows or Telog Enterprise software.

For more information call **585.742.3000**, email TelogSales@telog.com, or visit us at www.telog.com.



Wireless Monitoring

Real Time Pressure Alarms

Cellular Communication

Integral Antenna

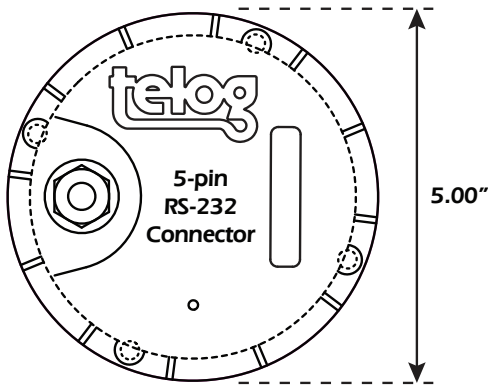
Battery Powered With Single 'D' cell Lithium Battery

Five Year Operating Life

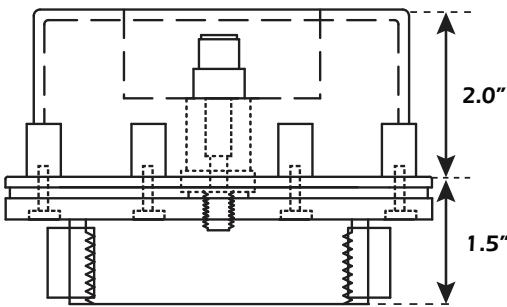
Supported by
Telog Enterprise
Telogers for Windows &
Telog's Data Hosting
Service

HPR-32 Specifications

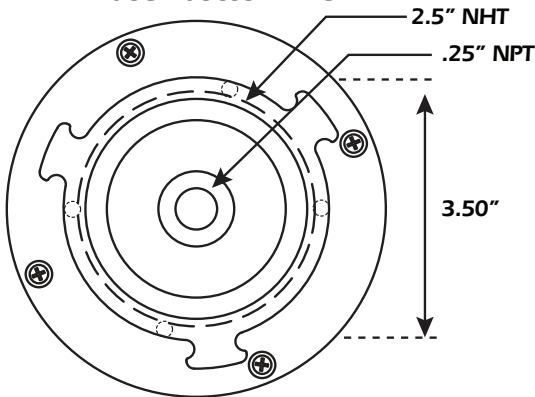
Cover: top view



side view



Base: bottom view



Input

Type	Strain gauge, isolated pressure sensor with wireless
Range (psi)	100, 200, 300 (contact Telog for other ranges)
Over pressure (psi)	300, 600, 600
Burst pressure (psi)	850, 1000, 1000
Resolution	0.025% of full scale, 12-bit
Accuracy	±0.25% of full scale at constant temperature
Temperature effect	±0.015% of full scale per °F

Recording

Sample rate	Programmable from 4/sec up to 8 hours
Data interval	Programmable from 1/sec up to 8 hours
Values saved	Selectable min, avg & max per interval
Memory	128 Kbytes (~80,000 data values)

Communication

Local RS-232	5 pin circular connector rated IP-67 Auto-selected baud rate to 19.2 kbaud Internal Telog WM/C embedded 1xRTT modem certified on Sprint & Verizon in USA
Cellular	WM/H HSPA modem certified on Bell in Canada Dual band internal antenna

Battery

Factory installed single 3.6V Lithium D cell
Saft LSH 20 or equal

Battery Life

3800 data calls to host computer
Examples: 5 years @ 2 calls/day
2 years @ 5 calls/day
1 year @ 10 calls/day
(@ 5 second sampling or less and good cellular signal strength)

Support Software

S-3PC	Telogers for Windows
S-3EP	Telog Enterprise
Data transfer unit	IP-67 rated PDA running Palm OS and Telog

Environmental and Mechanical

Temperature	
Operating	14° to 150°F
Storage	-40° to 150°F
Humidity	0-100% relative humidity
Enclosure	NEMA 4x/IEC IP65
Size	5" diameter x 3.5"
Thread*	Hydrant mount: 2.50" NHT standard, Contact Telog for non standard thread
(see side view)	Internal mount: 1/4" NPT
Security Cover	High impact nylon security cover. Choose from red, yellow or gray to best match hydrant color. Lockout hasps included.



Telog Instruments, Inc.

830 Canning Parkway, Victor, NY 14564-8940, USA
Phone: 585.742.3000 • Fax: 585.742.3006
E-mail: TelogSales@telog.com • www.telog.com

Specifications within this brochure are subject to change without notification.

Telog® is a registered trademark and Telogers™ is a trademark of Telog Instruments, Inc.
Windows® is a registered trademark of Microsoft Corporation.
Palm® is a registered trademark of Palm, Inc.



Security Cover Color Options