



Dewatering solutions that work

COMPLETE RENTALS SERVICES FOR SEWAGE BY-PASS, CONSTRUCTION DEWATERING, FLOOD DRAINAGE, SURFACE IRRIGATION, AND MINE DEWATERING

xylem
Let's Solve Water

Pumps, Mixers, Generators, and Accessories

Sewage Bypass · Excavation Dewatering
Flood Drainage · Surface Irrigation · Mining Dewatering

Choose the right equipment for your temporary site dewatering project or sewage bypass that meets your particular needs.



FEATURES	BENEFITS
Single source	Cost savings
Expertise	Peace of mind
Project handling	Time savings
Temporary site dewatering	Complete solutions
Sewage bypass solutions	Engineering and management
On-site	Set-up, supervision, and equipment maintenance
Turnkey features	Project design, engineering, and management
Rental services	Flexibility and savings
Pump range	Submersible and engine driven
Product range	Pumps, generators, piping, and accessories
Purchase	Rental-purchase options available



DEWATERING PUMPS

Designed mainly for construction and mine dewatering, the 2000 series of submersible pumps are made tough for the most rigid professional use. There are more than 50 different pump models to choose from.

- High efficiency and long life
- Optional Poly-Life® wear parts
- Flows up to 300 l/s
- Heads up to 225 m
- Discharge size up to 10 in.



TRASH & SOLIDS PUMPS

Flygt small- to mid-sized centrifugal pumps are designed for wastewater pumping in pumping stations and treatment plants. Because of their versatility and wide range, many other municipal, industrial, and agricultural applications use Flygt pumps.

- Wet or Dry installations
- Superior solids-handling impellers
- Flows up to 300 l/s
- Heads up to 65 m
- Discharge size up to 10 in.

MIXERS

Submersible mixers have gained popularity over traditional long-shaft mixers. Because of this product's versatility, Flygt mixers are used in municipal treatment and industrial plants in a variety of applications and configurations.

- Applicable to any tank shape
- Easy installation
- Stainless-steel versions
- Ideal for pond de-icing



FLOTATION MODULES

Flygt pump flotation modules provide a lightweight and cost effective alternative to the traditional steel pontoon. The modules are prefabricated from lightweight, foam-filled fibreglass.

- Includes a stainless steel bracket to fix the pump to the module
- Easily mounted to pumps on site
- Lifting points for easy installation
- Easy to transport as an integral unit



GENERATOR SETS

Flygt diesel generators are built tough for worry-free electrical power at any time and any place. They are oversized to provide higher startup current.

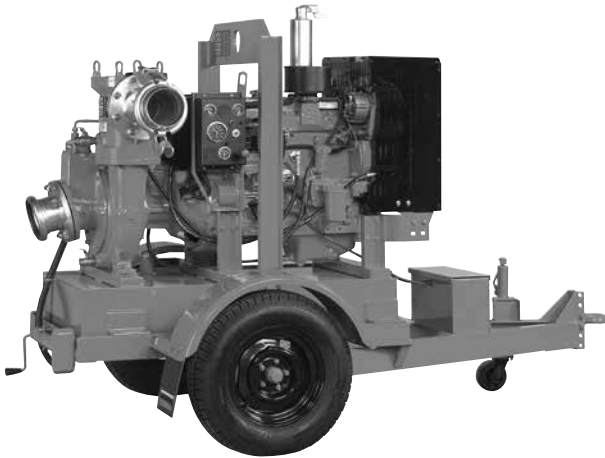
- Standard or silent models
- Output capacity from 6 to 225 kW
- Large tank capacity for longer operation
- Skid mount
- Enclosed main electrical panel



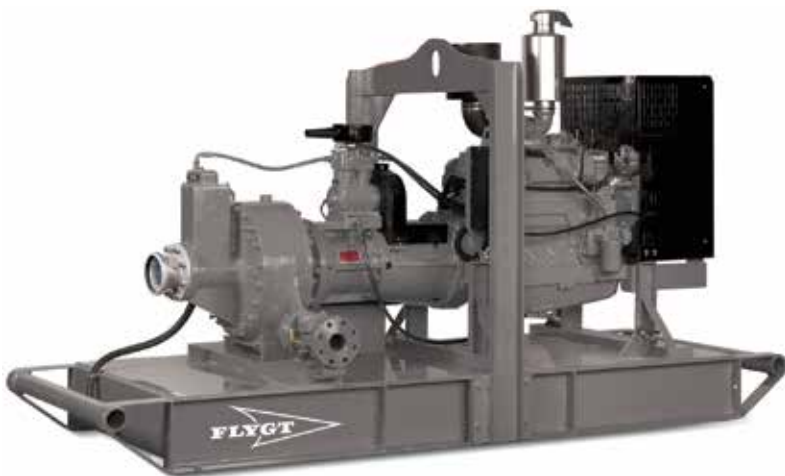


DRY PRIME TRASH PUMPS

Available in vacuum-assisted and compressor-assisted models. Dry Prime trash pumps will operate in “snore” conditions and are ideal for high-lift applications. Great for open pumping and sewage bypass, pumping polluted, hot, or corrosive wastewater, flood-type surface irrigation.



- Flows to 382 l/s
- Heads to 45 m
- Skid or trailer mounted
- Auto control with floats
- Discharge size up to 12 in.
- Sound attenuated canopy available for residential or sound-critical applications



DRY PRIME HIGH PRESSURE PUMPS

High Pressure pumps act like a water drill and can be used for dewatering and jetting applications. Using an end-suction centrifugal pump, the High Pressure pumps are capable of creating streams of clear water and fluids with solids for many varied uses. Great for wellpoint installations, water blasting, and fire protection.

- Flows to 500 l/s
- Heads to 100 m
- Discharge size up to 12 in.

WELLPOINT PUMPS & ACCESSORIES

Specifically designed and engineered for wellpoint dewatering with high air capacity handling.

- Flows to 190 l/s
- Discharge size up to 12 in.



HOSE, PIPING, & ACCESSORIES

Complete range of sizes and materials to meet all applications. Special headers, valves, elbows, and transition pieces available. Manual and automatic controls.

- Galvanized steel piping
- HDPE piping
- Suction hose, discharge hose, and piping accessories with Quick couplers
- Auxiliary fuel tanks
- Road ramps
- Flow meters
- Fish screens



Municipal · Industrial Construction · Mining

Complete Dewatering Products and Turnkey Solutions

Xylem Water Solutions engineers, supplies, and coordinates major site dewatering and sewage bypass projects in the municipal, construction, industrial, and mining sectors, and provides technical expertise and equipment maintenance services.

50 YEARS OF CANADIAN EXPERIENCE

Xylem Water Solutions specializes in effective and environmentally secure water and wastewater transfer applications such as Sewage Bypass, Excavation Dewatering, Flood Drainage, Surface Irrigation, and Mining Dewatering.

FULL SERVICE RENTALS PROGRAM

A complete line of submersible pumps, engine-driven suction pumps, generators, piping, and complementary accessories are available for either long- or short-term rental. With 14 coast-to-coast sales locations, we are the only nationwide company to offer complete turnkey water handling solutions, expertise, and products.



Xylem ['zīləm]

- 1) The tissue in plants that brings water upward from the roots
- 2) A leading global water technology company

We're 12,500 people united in a common purpose: creating innovative solutions to meet our world's water needs. Developing new technologies that will improve the way water is used, conserved, and re-used in the future is central to our work. We move, treat, analyze, and return water to the environment, and we help people use water efficiently, in their homes, buildings, factories and farms. In more than 150 countries, we have strong, long-standing relationships with customers who know us for our powerful combination of leading product brands and applications expertise, backed by a legacy of innovation.

For more information on how Xylem can help you, go to xylemwatersolutions.com/ca

CONTACT YOUR LOCAL SALES LOCATION

BRITISH COLUMBIA

Vancouver
TEL: (604) 941-6664
FAX: (604) 941-3659

ALBERTA

Calgary
TEL: (403) 279-8371
FAX: (403) 279-0948

Edmonton

TEL: (780) 489-1961
FAX: (780) 486-5530

SASKATCHEWAN

Saskatoon
TEL: (306) 933-4849
FAX: (306) 931-0051

MANITOBA

Winnipeg
TEL: (204) 235-0050
FAX: (204) 235-0066

ONTARIO

Toronto
TEL: (416) 679-1199
FAX: (416) 679-0406

Ottawa

TEL: (613) 225-9600
FAX: (613) 225-5496

Sudbury

TEL: (705) 560-2141
FAX: (705) 560-8260

QUÉBEC

Montréal
TEL: (514) 695-0133
FAX: (514) 695-7990

Québec

TEL: (418) 878-1800
FAX: (418) 878-3535

Val d'Or

TEL: (819) 825-0792
FAX: (819) 825-5677

NEW BRUNSWICK

Moncton
TEL: (506) 857-2244
FAX: (506) 859-8612

NOVA SCOTIA

Halifax
TEL: (902) 450-1177
FAX: (902) 450-1170

NEWFOUNDLAND AND LABRADOR

St. John's
TEL: (709) 722-6717
FAX: (709) 722-9832

Scan this code for more
information on our
Dewatering Solutions



Xylem, Inc.
14125 South Bridge Circle
Charlotte, NC 28273
Tel 704.409.9700
Fax 704.295.9080
855-XYL-H2O1 (855-995-4661)