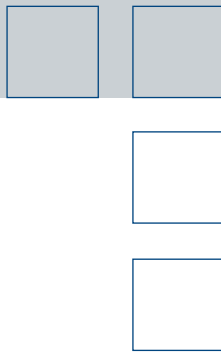
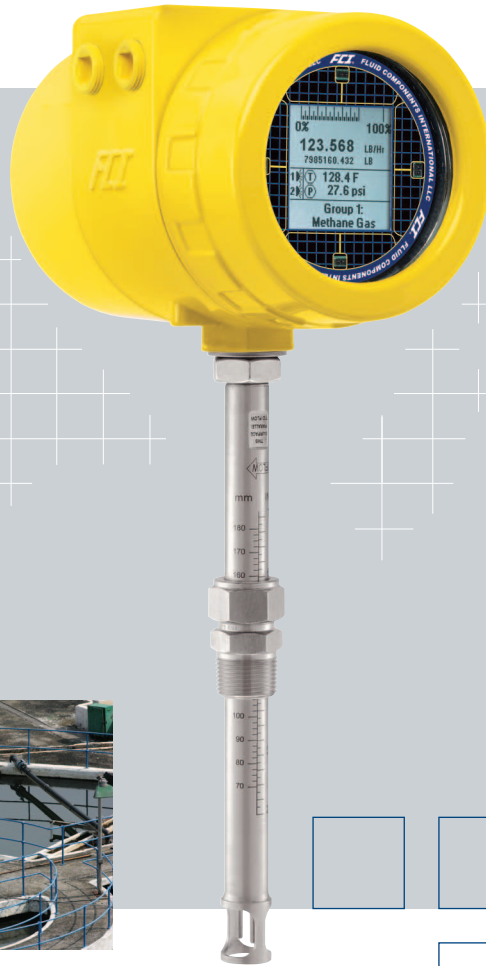


# FCI ST100 Series Thermal Mass Flow Meters

Advanced Solutions for Process and Plant  
Gas Flow Metering

Mass Flow, Temperature and Pressure



- Chemical
- Wastewater Treatment, Landfills
- Refineries
- Oil & Gas
- Mining
- Metals
- Manufacturing
- Cement, Stone, Brick, Glass
- Power Utilities
- Pulp & Paper
- Food & Beverage
- And more...

FCI ST100 SERIES

**FCI** FLUID COMPONENTS  
INTERNATIONAL LLC

## ST100 Series Features



Model ST100  
with -FP style  
flow element

Model ST100 readout

Model ST100L in-line  
flow meter

- Direct gas mass flow measuring
- Flow rate, total flow, temperature, pressure measurement
- No moving parts, lowest maintenance
- Most extensive and comprehensive global approvals for Ex installations
- Temperature service to 850 °F [454 °C]
- Rugged, industrial transmitter enclosure
- Graphic, multivariable LCD readout
- Integral and remote electronics versions
- Multi-gas calibrations
- Multiple analog outputs – 4-20 mA, pulse
- HART®, FOUNDATION™ Fieldbus, PROFIBUS PA, Modbus RS-485
- Dual-element systems
- Patented VeriCal™ In-Situ Calibration Verification System
- SIL compliant
- On-board data logger
- Sensor configurations to optimize application performance
- Extensive selection of process connections

## ST100 Series – The Future of Gas Flow Metering

With FCI's new ST100 Series, the science of process gas flow metering has never been so advanced or so future-ready!

ST100 is an all-new thermal dispersion technology gas flow meter that combines feature- and function-rich electronics with the industry's most advanced flow sensors to achieve a truly state-of-the-science flow metering solution for industrial processes and plant applications.

The ST100 Series transmitter is unsurpassed in meeting your current and future need for outputs, process information and communications. Whether your output needs are traditional 4-20 mA analog, frequency/pulse or advanced digital bus communications such as HART, FOUNDATION Fieldbus, PROFIBUS or Modbus, ST100 has your solution. What's more, should you ever need to change

or upgrade, ST100 can be converted to any of these outputs with a card change, in the field. That takes "never obsolete" to a whole new level.

Then there's ST100's display/readout which brings new meaning to the term "process information." Simply, the ST100's graphical display provides the most comprehensive information on process measurements and conditions of any thermal flow meter available (see page 7).

In the gas stream, ST100 flow elements and process connections ensure the best possible measurements and effective installation. FCI flow element designs have been perfected and optimized through six decades of R&D and real world experience in thermal dispersion

technology and flow metering applications. With thermal dispersion there are no moving parts to foul or clog. This results in the greatest reliability and valuable savings on maintenance.

Fast response, accuracy, repeatability and long-life are hallmarks of FCI flow elements available with ST100. And, all new, are the STP models that include pressure measurement. Mass flow, temperature and pressure in a single tap point thermal dispersion meter — that’s an industry first and FCI exclusive!

Then, consider other ST100 Series exclusives like dual-element averaging systems (see page 8) and FCI’s patented VeriCal option that provides significant cost and time savings by performing dynamic wet calibration verification in-situ, without ever removing the instrument from the process (see page 10). To ensure both ease of installation and a match with your process conditions, the ST100 Series offers a comprehensive selection of process connections and installation options.

Your smart investment in an ST100 Series flow meter is complete with FCI precision calibration. FCI’s NIST traceable flow calibration facility is unmatched by any other thermal dispersion flow meter manufacturer. Your ST100 Series flow meter is custom calibrated to exacting process and fluid conditions, essential to providing the highest precision, longest lasting solution that meets its specifications and your specific application.

## ST100 Series Model Summary

ST Series					
Model	ST100	ST100L	ST102	ST110	ST112
Basic Type	Insertion	In-Line	Insertion	Insertion	Insertion
Flow	✓	✓	✓	✓	✓
Temperature	✓	✓	✓	✓	✓
Dual-Element			✓		✓
VeriCal In-Situ Calibration Verification				✓	✓
STP Series					
Model	STP100	STP102	STP110	STP112	
Basic Type	Insertion	Insertion	Insertion	Insertion	
Flow	✓	✓	✓	✓	
Temperature	✓	✓	✓	✓	
Pressure	✓	✓	✓	✓	
Dual-Element		✓			✓
VeriCal In-Situ Calibration Verification			✓	✓	

The ST100 Series is comprised of two core families—the “ST” and the “STP,” with nine total models. The ST family features instruments that measure both mass flow and temperature. The STP family is an FCI exclusive thermal dispersion flow meter that additionally measures a third parameter—pressure. Within both families are basic single-point models, dual-element averaging systems and models with VeriCal, an FCI patented in-situ calibration verification system.

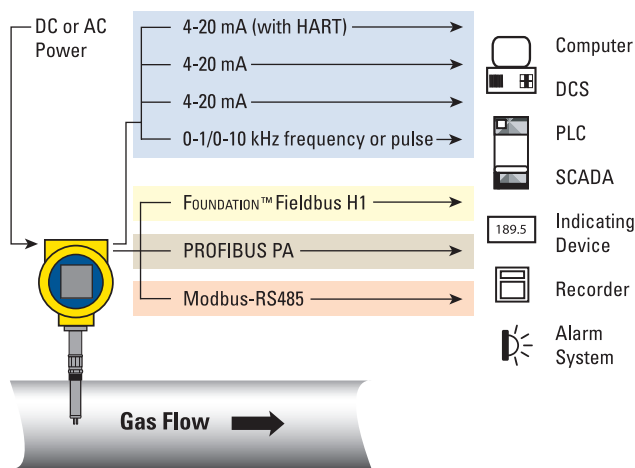
## Find your gas here?

FCI has provided thermal mass flow meter solutions for all of these and more . . .

Acetaldehyde	Ethyl Acrylate	Ketene	Phenol
Acetic Acid	Ethyl Alcohol	Krypton	Phosgene
Acetone	Ethyl Amine	Landfill Gas	Propadiene
Acetonitrile	Ethyl Benzene	M-Cresol	Propane
Acetyl Chloride	Ethyl Bromide	Mercury	Propanol
Air	Ethyl Chloride	Methane	Propyl Chloride
Allyl Chloride	Ethyl Fluoride	Methanol	Propylene
Ammonia	Ethyl Mercaptan	Methyl Acetate	Propylene Oxide
Aniline	Ethylene	Methyl Alcohol	Propyne
Argon	Ethylene Dichloride	Methyl Amine	P-Xylene
Benzene	Ethylene Oxide	Methyl Butane	R-11
Bio-Gas	Flare Gas	Methyl Fluoride	R-12
Boron Trifluoride	Fluorine	Methyl Formate	R-13
Bromine	Fluorobenzene	Methyl Hexane	R-13B1
Bromobenzene	Fluoroform	Methyl Hydrazine	R-14
Butadiene	Freon-11	Methyl	R-21
Butene	Freon-12	Mercaptan	R-22
Butylene Oxide	Freon-13	Methyl Octane	R-23
Butyne	Freon-14	Methyl Pentane	R-112
Carbon Dioxide	Freon-21	Methylal	R-113
Carbon Disulfide	Freon-22	Methylene Chloride	R-114
Carbon Monoxide	Freon-23	Morpholine	R-114B2
Carbon Tetrachloride	Furan	M-Xylene	R-115
Carbonyl Sulfide	Halon	Naphthalene	R-116
Chlorine	Helium	Natural Gas	R-134A
Chlorobenzene	Heptene	N-Butane	R-142B
Chloroethane	Hexanol	N-Butane	R-152A
Chloroform	Hexene	N-Butanol	R-216
Chloromethane	Hydrazine	N-Butyl Alcohol	R-500
Chloroprene	Hydrogen	N-Decane	R-502
Cis-2-Butene	Hydrogen Bromide	N-Dodecane	R-503
Cis-2-Hexene	Hydrogen Chloride	Neon	R-504
Compressed Air	Hydrogen Cyanide	Neopentane	R-C318
Cumene	Hydrogen Deuteride	N-Heptane	Radon
Cyanogen	Hydrogen Fluoride	N-Hexane	Silane
Cyclobutane	Hydrogen Iodide	Nitric Oxide	Silicon Tetrachloride
Cyclohexane	Hydrogen Peroxide	Nitrogen	Styrene
Cyclooctane	Hydrogen Sulfide	Nitrogen Dioxide	Sulfur Dioxide
Cyclopentane	Iodine	Nitromethane	Sulfur Hexafluoride
Cyclopropane	Isobutane	Nitrous Oxide	Sulfur Trioxide
Decene	Isobutene	N-Nonane	Superheated Thiophene
Deuterium	Isobutyl Alcohol	N-Octane	Titanium Tetrachloride
Deuterium Oxide	Isoheptane	Nonene	Toluene
Diethyl Amine	Isohexane	N-Pentane	Trans-2-Butene
Diethyl Ether	Isooctane	N-Propanol	Trimethyl Amine
Diethyl Ketone	Isopentane	N-Propyl Alcohol	Triptane
Digester Gas	Isoprene	N-Propyl Amine	Uranium Hexafluoride
Dimethyl Ether	Isopropyl Alcohol	N-Undecane	Vinyl Acetate
Dimethyl Propane	Isooctane	Octene	Vinyl Chloride
Dimethyl Sulfide	Isopentane	Oxygen	Vinyl Fluoride
Ethane	Isoprene	O-Xylene	Vinyl Formate
Ethanol	Isopropyl Alcohol	Pentanol	
Ethyl Acetate	Isopropyl Amine	Pentene	

## Inputs, Outputs and Bus Communications for Today and Tomorrow

ST100 Series' extensive and comprehensive offering of field-interchangeable outputs is your assurance of compatibility with your process control system for the long term. Whether your network is analog based or bus comm based, there is a compatible solution with ST100. And, if your plant has ever considered changing or upgrading system communications in the future, the ST100 Series is ready to change with you. Each of the ST100 output types is modular and completely interchangeable in the field, at any time. This assures adaptability and compatibility with your process measurement and control strategy – today and tomorrow.



## Analog Outputs with HART

Comprehensive, scalable and flexible describe the ST100 Series' analog outputs bundle. The analog output card features triple 4-20 mA outputs that are fully assignable to flow rate and/or temperature, and with STP models, pressure. All 4-20 mA outputs are user scalable to represent the full range or any subset and are fully assignable to any of the measured variables. Outputs are isolated and have fault indication per NAMUR NE43 guidelines, user selectable for high (>21.0 mA) or low (<3.6 mA).

Additionally, full two-way HART communication is included and available over the #1 4-20 mA output. The analog card also includes a user selectable 0-1 kHz or 0-10 kHz frequency or pulse output of flow. The frequency output is proportional to flow rate while the pulse output can be used for external flow totalizers.

## Digital Bus Communications Options

The ST100 Series features the most comprehensive selection of digital bus communications available in a thermal dispersion flow meter. All bus communications provide actual measurements, including flow rate, total flow, temperature and, with STP models, pressure. Instrument diagnostics and service information are continuously accessible via the bus. All ST100 Series user set-up and configuration parameters may also be performed over the bus.

Included with the analog output cards is a two-way HART bus over the #1 4-20 mA output. The HART bus complies with revision level 7 protocol and is fully compatible with all versions of HART field communicators and HART control systems.

Instead of analog outputs /HART, you can select a digital bus of: FOUNDATION Fieldbus H1, PROFIBUS PA or Modbus RS-485. These bus options are full two-way I/O communications.

HART, FOUNDATION Fieldbus and PROFIBUS communication options are provided with device interface software, either EDD or DTM type, for easy, seamless integration with process control systems and PC-based frame applications such as PACTware. These software packages and updates can be downloaded from FCI's website and from the respective bus organization's websites. FCI obtains registration and certification on its products from the respective bus organizations. \*



[www.hartcomm.org](http://www.hartcomm.org)



[www.profibus.com](http://www.profibus.com)



[www.fieldbus.org](http://www.fieldbus.org)



[www.fdtgroup.org](http://www.fdtgroup.org)

\* ST100 Series with FOUNDATION™ Fieldbus communications is a certified and registered device with FieldComm Group™. Registered features include alarms and events, function block linking, trending, multi-bit alert reporting and field diagnostics. The ST100 was one of the first two devices to be compliant and certified with advanced field diagnostics. Manufacturer ID (HEX) 01FC49.

ST100 Series with HART® communications is a certified and registered device with FieldComm Group, registration number L2-06-1000-168. Manufacturer ID (HEX) 00A6.

## Digital I/O Ports

All ST100 Series models include a USB port for connection to a laptop or other computer for all user set-up programming, field enactable device changes and servicing diagnostics. Also provided standard is an Ethernet 10/100 network port designed to facilitate remote access by FCI service personnel to perform service and diagnostics. Temporary connection to both USB and Ethernet connections can be made easily by removing the rear cover of the instrument enclosure, or the unit can be permanently attached through the conduit ports.

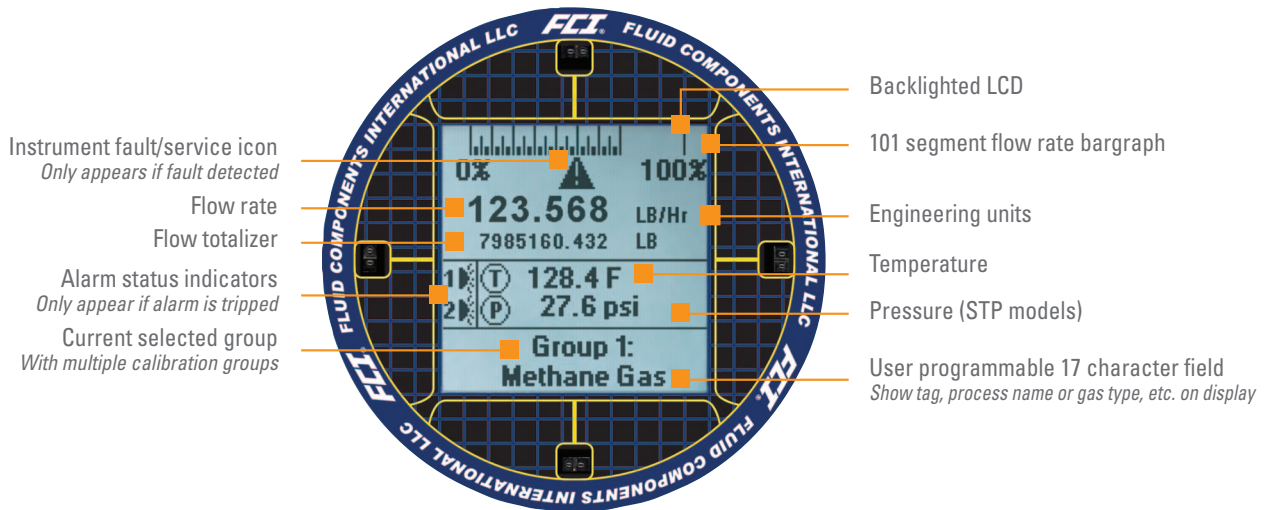
## Digital Display / Readout

The ST100 Series' optional digital readout provides a best-in-class information suite, backlighted LCD and four (4) optical touch buttons. The display backlight has a unique proximity detector that illuminates it only when a person approaches, or can be set to "always on." The display and button functions can be rotated electronically, via the buttons, in 90° increments to optimize display viewing and button activations.

The display buttons provide convenient, ready access to all instrument set-up and programming, as well as diagnostics and

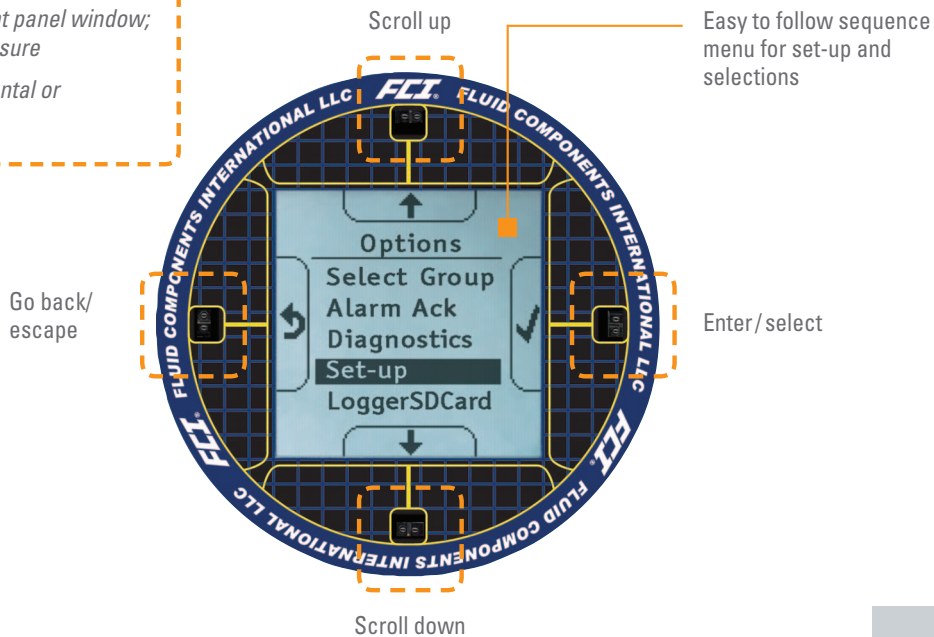
troubleshooting. (In the blind unit, these functions must be performed through the USB port or bus communications.) These buttons are activated through the front panel glass. There is no need to open the enclosure or declassify a hazardous area to perform functions. An atypical button sequence is required for button activation which prevents accidental or unauthorized access to the menus.

The display provides readouts of the process variables and service diagnostics. The normal process measuring mode screen is the most comprehensive of any thermal dispersion flow meter available.



Four (4) optical touch buttons for programming and display selections

- Activated through front panel window; no need to open enclosure
- Protected from accidental or unwanted activation



## Sensors Optimized to Meet the Application



"FPC" Style Element



"FP" Style Element



"S" Style Element

High quality thermal mass flow measurement begins with the sensor element in the flow stream. Only FCI combines six decades of field experience with extensive R&D and performance validation utilizing an on-premise flow laboratory with more than 18 flow stands. FCI is the leader in thermal mass flow sensor innovation, reducing the size of instruments, accelerating response time and improving overall operation in applications with dramatic temperature swings. Further, ST100 Series flow elements are all-welded to ensure maximum strength, durability and leak prevention, and they are offered standard in either 316L stainless steel or Hastelloy-C276.

To maximize performance and long life for your applications, ST100 Series is engineered and offered with a choice of flow element styles. The FPC style is an exclusive FCI design that features a patent-pending flow conditioner, fast response time and a protective shroud. For many applications with clean gases and for compressed air using an insertion style instrument, the FPC is the recommended solution. For the in-line Model ST100L, and instruments with the VeriCal option, the FP is the preferred solution. In other applications such as wet, dirty, erosive, or corrosive gases or with rapidly changing flow rates, where response time is less important, the S is regularly specified. Table 1 provides a summary of conditions and characteristics to consider in selecting a flow element style.

## ST100 Series Flow Element Selection

Flow Element	-FPC	-FP	-S
<b>Conditions or Characteristics</b>			
All clean gases	■	□	□
Air/compressed air	■	□	□
Slightly dirty gases	□	■	□
Damp/moist gases	□	■	□
Very dirty gases	⊙	□	■
Wet gases	⊙	□	■
Erosive <sup>2</sup>	⊙	⊙	■
Corrosive	⊙	⊙	■
Particulates in flow stream <sup>2</sup>	⊙	□	■
Pulsing	■	⊙	■
Fast response time	■	■	⊙
Dynamic temperature swings	■	■	⊙
Rapid or erratic changes in flow requiring smoothed response and output	⊙	⊙	■
Less-than-ideal straight run (without Vortab® flow conditioning)	■	⊙	⊙
Frequent cleaning required	⊙	□	■
With VeriCal option and STP1XX models		■	

- = Excellent performance, preferred solution
- = Good performance, acceptable solution
- ⊙ = Not recommended

## Extensive Selection of Process Connections

An unmatched selection of process connection choices assures a match for any installation requirements.

**Insertion flow meters** – For most applications an adjustable "U" length (insertion depth) configured with compression fittings offers the most installation flexibility. Adjustable elements are available in 6 inch [152 mm], 12 inch [305 mm], 21 inch [533 mm], 36 inch [914 mm], and 60 inch [1524 mm] lengths. All adjustable "U" elements include permanent, laser-etched depth gauge markings, in both inches and millimeters, to ensure accurate insertion depth within the installation. Male NPT compression fittings are available in either 3/4 inch or 1 inch, with Teflon or metal ferrules, or with a tapped and threaded ANSI or DIN flange. Fixed length elements made to your specifications with a fixed threaded fitting or a welded ANSI or DIN flange are also available for all ST100 Series models.

For hot tap installations, retractable packing glands with a choice of pressure rating and packing material are available for all ST100 insertion flow meter models. Pressure service ratings of either 50 psi [3,4 bar] or 500 psi [34 bar] are standard with higher ratings available on special request. To ensure compatibility with the process fluid and integrity of the installation, packing material is selectable as either graphite or Teflon<sup>1</sup>.

**In-line flow meter (Model ST100L)** – The spool-piece flow body length is nine times its nominal diameter, and can be fabricated as required with male NPT, female NPT, ANSI flange or DIN flange and butt weld prepared process connections.

<sup>1</sup> Teflon packing material may be required for certain process media such as ozone, chlorine or bromine; consult FCI's AVAL program for recommendation

<sup>2</sup> Chromium carbide coating also available; contact FCI



Adjustable "U" Length with Compression Fitting



Tapped and threaded ANSI or DIN Flange



Low Pressure Packing Gland with Ball Valve (top) and Medium Pressure Packing Gland with Ball Valve (right)

# ST100 Series Insertion Flow Meters

Model	ST100	ST102	ST110	ST112	STP100	STP102	STP110	STP112
<b>Flow Element</b>								
FPC Sensor Style	✓	✓						
FP Sensor Style	✓	✓	✓	✓	✓	✓	✓	✓
S Sensor Style	✓	✓						
316L SS Sensor	✓	✓	✓	✓	✓	✓	✓	✓
Hastelloy-C276 Sensor	✓	✓						
All Welded Element	✓	✓	✓	✓	✓	✓	✓	✓
Temperature Service and Measuring Range <i>All ST models -40 °F [-40 °C] to:</i>	≤ 350 °F [177 °C] ≤ 500 °F [260 °C] ≤ 850 °F [454 °C]	≤ 350 °F [177 °C] ≤ 500 °F [260 °C] ≤ 850 °F [454 °C]	≤ 350 °F [177 °C] ≤ 500 °F [260 °C]	≤ 350 °F [177 °C] ≤ 500 °F [260 °C]	Standard: 32 °F to 176 °F [0 °C to 80 °C] Ex Rated: -22 °F to 212 °F [-30 °C to 100 °C] <i>Limited by pressure transducer; contact FCI for special order, higher temp. service</i>			
Pressure Measurement Ranges					■ 0-50 psig [3,4 bar (g)] ■ 0-160 psig [11 bar (g)]	■ 0-500 psig [34 bar (g)] ■ 0-1000 psig [70 bar (g)]		
<b>Process Connections</b>								
<b>Compression Fittings</b> with variable "U" length up to 6", 12", 21", 36" or 60" [152 mm, 305 mm, 533 mm, 914 mm or 1524 mm]								
3/4" MNPT	✓	✓						
1" MNPT	✓	✓						
Flange, Tapped and Threaded for 3/4" NPT Compression Fitting	✓	✓						
<b>Retractable Packing Glands*</b> with variable "U" length up to 6", 12", 21", 36" or 60" [152 mm, 305 mm, 533 mm, 914 mm or 1524 mm]						* Contact FCI for pressures > 500 psi [34 bar (g)]		
Low Pressure ≤ 50 psi [3,4 bar (g)]	✓	✓	✓	✓	✓	✓	✓	✓
Medium Pressure ≤ 500 psi [34 bar (g)]	✓	✓	✓	✓	✓	✓	✓	✓
<b>Fixed</b> specify "U" length up to 60" [1524 mm] maximum								
1" MNPT	✓	✓	✓	✓	✓	✓	✓	✓
Flanged	✓	✓	✓	✓	✓	✓	✓	✓

## ST100L In-Line For Line Sizes 1", 1 1/2", 2" [25 mm, 40 mm, 51 mm]

Model	ST100L
<b>Flow Element</b>	
FP Sensor Style	✓
S Sensor Style	✓
316L SS Sensor	✓
Hastelloy-C276 Sensor	✓
All Welded Element	✓
Temperature Service	≤ 257 °F [125 °C]
<b>Process Connections</b>	
1" Tubing	✓
1" Pipe	✓
1 1/2" Pipe	✓
2" Pipe	✓
NPT (Male)	✓
NPT (Female)	✓
Flanged	✓
Butt Weld	✓



**Single-point insertion** flow meter for pipe sizes 2 1/2" [64 mm] and larger. Calibration ranges from 0.25 SFPS to 1000 SFPS [0,07 NMPS to 305 NMPS].

– Models ST100, STP100



**In-line spool-piece** flow meter for use in line sizes 1", 1 1/2", and 2" [DIN25, DIN40, and DIN50]. Typical calibration range is from 0.006 SCFM to 1850 SCFM [0,01 NCMH to 3140 NCMH].

– Model ST100L



**Dual-element insertion** flow meters with averaging mode for improved accuracy and repeatability in line sizes ≥ 12" [305 mm].

– Models ST102A, ST112A, STP102A, STP112A



**VeriCal™ In-Situ Calibration** models are insertion flow meters with the FCI exclusive VeriCal in-situ calibration verification system.

– Models ST110, STP110, ST112, STP112



## Two Sensor Averaging System

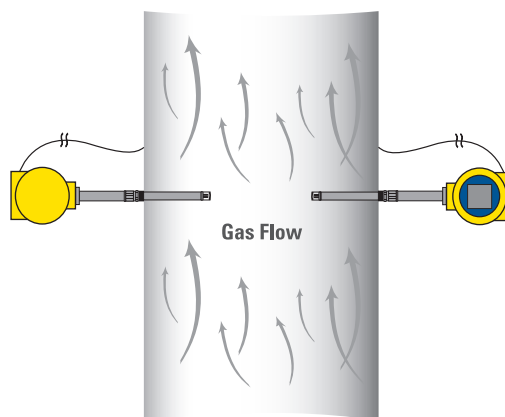
Applications involving line sizes 12 inches [305 mm] or greater can realize improved installation accuracy and repeatability by averaging the flow rates of two elements. Distorted, swirling and non-repeatable flow profiles can result in decreased accuracy of single point meters. In many cases, it is impractical or impossible to provide the required straight-run for a fully developed flow profile in large lines.

Models ST102A, ST112A, STP102A and STP112A overcome these flow profile concerns with a simple, economical "dual-element averaging system." The transmitter electronics will average the input from two independent flow elements into a single output. Each flow element can be independently configured for insertion length and process connection to allow installation flexibility. One flow element can be integral with the flow transmitter, or both can be configured as remote to accommodate easy access to terminal blocks and the optional digital display/optical four button interface. The flow transmitter also provides independent information for each flow element, saving time when performing service checks.

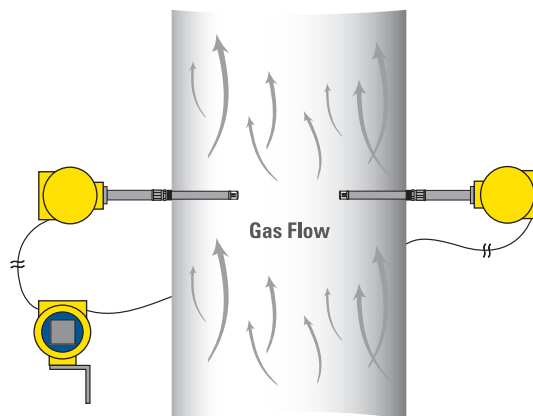
To help determine if your application will benefit from using a dual-element averaging system, contact your local representative or visit FCI online to utilize AVAL, FCI's proprietary evaluation software.

With any two-element system, one element is always remote mounted while the other may be integrally mounted or remote mounted from the transmitter.

### With Integral Configuration



### With Remote Transmitter





## Add Pressure Measurement with “STP” Models

The “STP” models are the only thermal dispersion gas mass flow meters available featuring pressure measurement to create a triple function solution (flow + temperature + pressure) in a single tap point insertion instrument—an industry first and FCI exclusive feature.

A precision strain gauge pressure transducer is built into the STP probe assembly and integrated into the transmitter inputs and outputs. The transducer, connections and wiring assembly are enclosed within a compact, protective aluminum housing and incorporated into the flow element assembly. Four pressure ranges are available: 50, 160, 500 and 1000 psig [3,4; 11; 34 and 70 bar(g)] to maximize resolution and accuracy for your application. Pressure transducers are available in both Ex and non-Ex rated types.

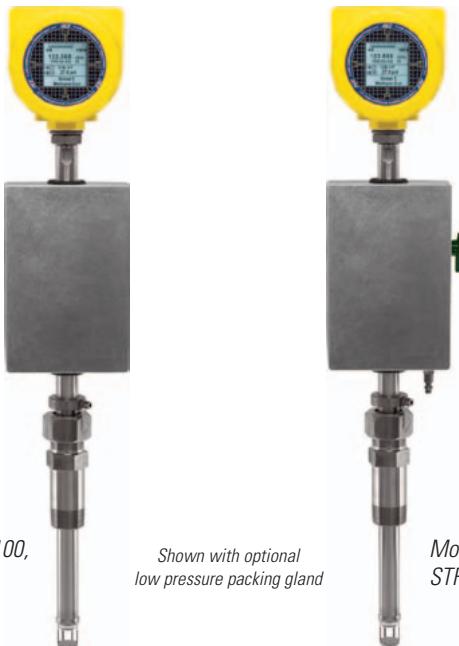
In addition to the labor savings over installing and running power to multiple sensors, bus communication installation reduces bus wiring, nodes and interfacing because all three measurements are provided over a single bus connection. Analog outputs and alarm values are also user assignable to pressure measurement as required by your application. In STP models with the optional graphical/digital display, the pressure measurement value is added and continuously displayed.

**Model STP100:** Single-point insertion flow element with flow, temperature and pressure

**Model STP102:** Dual-element insertion flow element; both elements with flow, temperature and pressure

**Model STP110:** Single-point insertion flow element with flow, temperature and pressure and VeriCal

**Model STP112:** Dual-element insertion flow element; both elements with flow, temperature and pressure, both elements with VeriCal



Models STP100, STP102

Shown with optional low pressure packing gland

Models STP110, STP112

## On-Board Data Logger

ST100 Series electronics include a user selectable and programmable data logging feature. Readings are stored to a removable, internal, board-mounted, micro-SD card (micro secure digital memory card). The supplied micro-SD card has a 2GB capacity capable of storing approximately 21 million readings. Recording time base is user selectable with maximum rate of 1 reading per second. The logging feature is selectable via the front panel menu or via the serial port and configuration software tools. Readings are stored in ASCII, comma separated format for easy uploading to spreadsheets such as MS-Excel.

## Full Instrument Agency Approvals

ST100 Series meters are agency approved for hazardous environment installations. FCI products undergo rigorous agency testing and obtain their approvals on the entire instrument, not just the enclosure. This highest level of agency certification is your evidence of FCI’s integrity. This ensures that every FCI instrument meets the intended safety requirements of your installation.

FM, FMc: Class I, Division 1, Explosion proof, Groups B, C, D  
 Class II/III, Division 1, Dust ignition proof, Groups E, F, G  
 Class I, Division 2, Nonincendive, Groups A, B, C, D  
 Class II, Division 2, Nonincendive, Groups E, F, G  
 Class III, Division 1, 2, Dust ignition proof, indoor/outdoor  
 Hazardous (classified) locations  
 Type 4X/IP67; NEC 500

ATEX: EX d IIC Gb T6/T1 Ta = -40°C to 65°C;  
 Ex tb IIIC T85°C/T450°C Db Ta = -40°C to 65°C; IP67

IECEX: II 2 G Ex d IIC Gb T6/T1 Ta = -40°C to 65°C; IP67

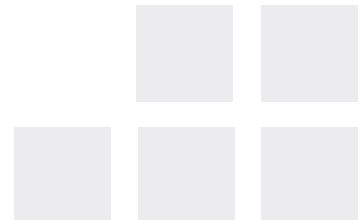
CPA, NEPSI, Inmetro, EAC (TRCU) Russia

CE approved, CRN

Probe complies with Canadian Electrical code requirements of ANSI/ISA 12.27.01-2011 as a single seal device

SIL 1 compliant

*FCI continually obtains additional agency approvals; contact FCI for availability of other agency approvals*



# VeriCal™ In-Situ Calibration Verification

## Models ST110, ST112, STP110 and STP112

- **Validate performance on-site in minutes**
- **Save costs, no need to remove flow meter from process**
- **Comply with ISO and local regulations for periodic calibration verification**
- **Provides in-situ flow element cleaning**

Models ST110, ST112, STP110 and STP112 include FCI's exclusive and patented VeriCal system. VeriCal provides you with the ability to perform periodic field validation and verification of the flow meter's measuring performance and calibration without extracting the flow meter from the pipe or process.

In gas flow processes with procedures or regulations requiring periodic calibration verification, an FCI flow meter configured with VeriCal provides the most convenient and lowest cost solution. Performing a verification with VeriCal also provides a secondary benefit of cleaning the flow element which helps ensure performance and reduce the need for routine maintenance.

### The VeriCal option is comprised of three components:

- **VeriCal ready flow element** – This specially-constructed flow element includes a flow port at the sensors, internal tubing, sonic nozzle and precision orifice, a ball valve to select “normal” or “VeriCal” operation and a welded and sealed inlet check valve to prevent hazardous process gases from escaping. After the flow meter system has been precision calibrated in FCI's NIST traceable flow laboratory, the lab also performs an additional nitrogen calibration and obtains five (5) baseline measurement points across the flow range to which all field checks using the VeriCal system are compared. With each ST110, ST112, STP110 or STP112, FCI provides a second calibration curve and printed document showing the five baseline VeriCal flow readings for use by your field technicians. This VeriCal calibration curve is stored within one of the ST100 Series' five calibration groups. The VeriCal calibration is quickly and easily accessed and recalled from the first menu screen on the display.

- **VeriCal kit** with fixtures and fittings to meter and control a precise flow of nitrogen<sup>4</sup> across the ST flow element. The VeriCal kit provides a specially designed 100 psig [6,9 bar(g)] pressure regulator and LCD digital pressure gauge packaged in a NEMA 4 (IP66) rated enclosure, and a 25 foot [7,6 m] air hose with quick disconnect fittings to connect the kit to the VeriCal ready flow element. The kit is fully portable or can be permanently mounted. The VeriCal kit, part number 020849-03, is ordered separately as a second line item. A single VeriCal kit can be used with and support any number of VeriCal-ready flow elements.

- **Nitrogen source** (user supplied) with a hose, regulated 125 psig to 150 psig [8,6 bar(g) to 10,3 bar(g)], either from an installed plant line or a portable supply tank. Typical test requires approximately 40 ft<sup>3</sup> [1,1 m<sup>3</sup>] of nitrogen.

## How It Works

With the VeriCal kit attached to the ST flow meter and the nitrogen source, a positive-pressure nitrogen injection is introduced<sup>4</sup>. With the ST flow element fully retracted from the actual flow stream and the ST set in the VeriCal Calibration group mode, the user adjusts the pressure at the VeriCal kit to inject small, controlled doses of nitrogen at specific pressures (prescribed on the FCI VeriCal calibration document). At each pressure point, flow readings are taken from the ST flow meter and compared to the respective baseline readings in the documentation provided by FCI. This procedure is performed at initial installation, then as often as desired.

**Model ST110:** Single-point insertion flow meter configured with VeriCal

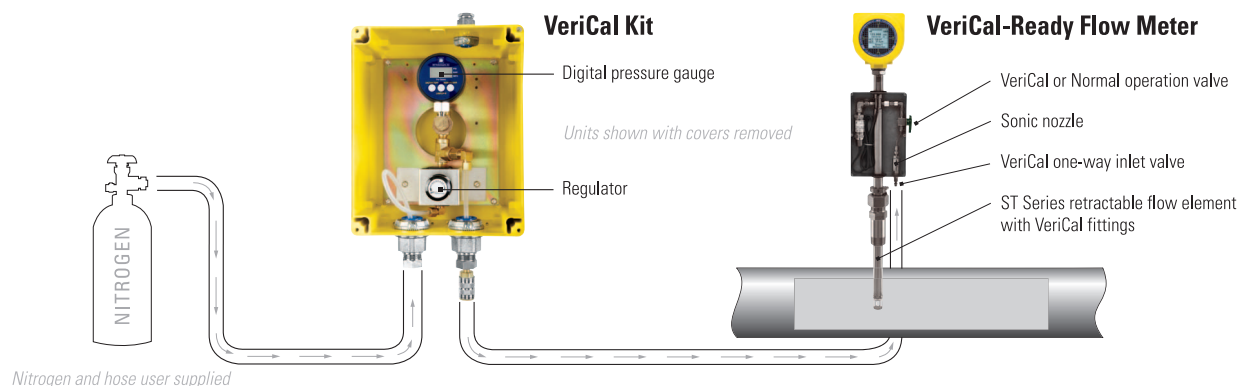
**Model ST112:** Dual-element flow meter; both elements configured with VeriCal

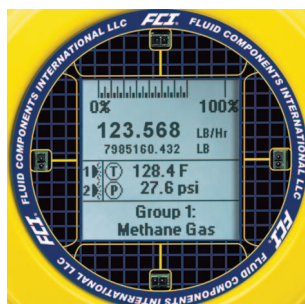
**Model STP110:** Single-point flow meter with pressure measurement configured with VeriCal

**Model STP112:** Dual-element flow meter with pressure measurement option; both elements configured with VeriCal

**P/N 020849-03:** VeriCal kit

<sup>4</sup> Other gases may be used; contact FCI for specific information





## Up to Five Unique Calibrations

While a single calibration is sufficient for many operations, the ST100 Series can provide up to five (5) unique calibration groups. Depending on your application need, this feature can provide significant cost and time savings. Some examples include:

**Broaden measuring range** – Extend the turndown ratio up to 1000:1 or have different ranges for the same gas to maximize accuracy and resolution under changing conditions. This is particularly beneficial with flares, which can require both a low flow range for normal operation and leak detection, and also a very high flow range for upset conditions. Multiple calibration group settings saves on the cost of using multiple flow meters.

**Different mixtures of same gases** – Embed calibrations to optimize flow measurement accuracy in dynamic or seasonally affected processes (e.g. Digester Gas Group 1 is 65% CH<sub>4</sub>, 35% CO<sub>2</sub>; Group 2 is 62% CH<sub>4</sub>, 38% CO<sub>2</sub>).

**Different gases** – Portable or temporary installations for multiple applications, or to reduce spare parts inventory in plants with multiple installations and applications. Multiple gases, such as dual fuel sources (e.g. natural gas and propane).



## FCI's World Class Calibration Ensures Installed Accuracy

ST100 Series models are tested and calibrated to rigorous standards so that you get the instrument that does the job specified. To design and produce the highest quality flow instrumentation, FCI operates a world-class NIST traceable flow calibration laboratory with more than 18 flow stands certified to meet such stringent standards as MIL-STD 45662A and ANSI/NCSS Z-540.

To achieve the highest possible accuracy in ST100 Series, FCI utilizes these precision flow stands to flow actual gases and reference fluids matched to the temperature and process conditions of your application. Further utilizing the extensive flow laboratory capabilities, FCI has developed an all new, patent pending and scientifically engineered SpectraCal gas equivalency algorithm as an economical alternative to actual gas calibration.

Other suppliers are often limited only to air calibrations and rely on non-field tested or un-validated theoretical equivalencies for other gases and gas mixtures. This procedure can be inadequate and create measurement and output errors well outside published specifications. FCI calibration capabilities are un-matched in the industry, providing you with total confidence that your installation meets its published specifications and your application needs.

*More than 18 precision flow stands to match NIST traceable fluids, process conditions, flow rates and line sizes specified in your application.*



# ST100 Series Features

Four conduit ports provide greatest signal integrity and separation for power input, analog output lines, digital I/O, relays and/or auxiliary input signals; choice of NPT or M20 threads

SIL 1 compliant

AC or DC power supply

Weather-proof, ruggedized, Ex rated enclosures

- Choices for local or remote mounting
- NEMA 4X, IP67
- Aluminum standard, stainless steel optional

Global agency approvals of entire instrument system for hazardous location installations:

FM, FMc, ATEX, IECEx, NEPSI, CPA, Inmetro, EAC (TRCU) Russia

Multiple calibrations

- Up to five independent, separate calibrations
- Multiple gases or mixed gas compositions
- Same gas, different flow range to optimize accuracy and extend turndown up to 1000:1

Precision calibration and calibration choices

- Specific gas and application matched calibration in FCI NIST traceable facility

Extensive selection of process connections

- Simple, adjustable installation with threaded NPT connector
- Teflon or metal ferrule seals
- Fixed connections
- ANSI or DIN flanges
- Retractable assemblies

Stainless steel or Hastelloy-C276 wetted parts



Extensive analog and digital communications output choices

- Triple 4-20 mA with HART
- FOUNDATION Fieldbus H1
- PROFIBUS PA
- Modbus RS-485
- 0-1 kHz or 0-10 kHz frequency or pulse
- USB port
- Ethernet

On-board data logger

Four (4) optical touch buttons

- Proximity activation, no need to open enclosure
- Full instrument programmability
- Protected against unwanted activation

Comprehensive informational display

- Digital readout of all measured parameters; flow rate, total flow, temperature and pressure with engineering units
- Analog flow rate bar graph
- Alarm status indication
- Instrument fault indication
- User programmable 17 character field (example: display gas type, tag number or application/location)
- Display orientation rotates in 90° increments electronically
- Backlighted: auto-on activation via proximity sensor or set for always on

Multi-function: measures mass flow rate and temperature; STP Series adds pressure measurement

Permanent laser-etched depth gauge markings; ensures accurate centering of adjustable-length elements

All welded sensor elements for maximum service life and leak-proofing

Precision, wide-ranging platinum RTD sensors

Exclusive equal mass sensors provide optimum performance in processes with wide temperature swings

Choice of three flow element styles to optimize application performance

- FPC style
- FP style (shown)
- S style

# ST100 Series Mass Flow Meter Specifications

## Instrument

### Measuring Capability

**ST1XX Models:** Flow rate, total flow and temperature

**STP1XX Models:** Flow rate, total flow, temperature and pressure

### Basic Style

**ST100:** Insertion, single-point

**ST100L:** In-line (spool piece), single-point

**ST102:** Insertion, dual-element system

**ST110:** Insertion, single-point with VeriCal™ capability

**ST112:** Insertion, dual-element system with VeriCal capability

**STP100:** Insertion, single-point with pressure measurement

**STP102:** Insertion, dual-element system with pressure measurement

**STP110:** Insertion, single-point with pressure measurement and VeriCal capability

**STP112:** Insertion, dual-element system with pressure measurement and VeriCal capability

### Flow Measurement Range

**Insertion Style:** 0.25 SFPS to 1000 SFPS [0,07 NMPS to 305 NMPS]

**ST100L In-line:** 0.0062 SCFM to 1850 SCFM

[0,01 Nm<sup>3</sup>/h to 3140 Nm<sup>3</sup>/h]

– Air at standard conditions; 70 °F and 14.7 psia [0 °C and 1,01325 bar(a)]

### Temperature Measurement Range

Up to 850 °F [454 °C] commensurate with element; see *Operating Temperature in Flow Element specification*

### Pressure Measurement Range (STP Models)

Available Ranges:

0 psig to 50 psig [0 bar(g) to 3,4 bar(g)]

0 psig to 160 psig [0 bar(g) to 11 bar(g)]

0 psig to 500 psig [0 bar(g) to 34 bar(g)]

0 psig to 1000 psig [0 bar(g) to 70 bar(g)]

### Media:

All gases that are compatible with the flow element material

### Accuracy

**Flow:** Gas Specific Calibration: ±0.75% reading, ±0.5% full scale

**Temperature:** ±2 °F [±1,1 °C] (display only, flow rate must be greater than 5 AFPS [1,5 m/sec])

**Pressure (STP Models):** ±1.0% of span

### Temperature Coefficient

With optional temperature compensation; valid from 10% to 100% of full scale calibration

**Flow:** Maximum ±0.015% of reading / °F up to 850 °F [±0.03% of reading / °C up to 454 °C]

### Repeatability

**Flow:** ±0.5% reading

**Temperature:** ±1 °F [±1 °C] (flow rate must be greater than 5 AFPS [1,5 NMPS])

**Pressure (STP Models):** ≤0.1% of span

### Turndown Ratio

Normally factory set and field adjustable from 2:1 to 100:1 within calibrated flow range; up to 1000:1 possible with factory evaluation of application

### Temperature Compensation

**Standard:** ±30 °F [±16 °C]

**Optional:** ±100 °F [±55 °C]

### Agency Approvals

FM, FMC: Class I, Division 1, Explosion proof, Groups B, C, D  
Class II/III, Division 1, Dust ignition proof, Groups E, F, G  
Class I, Division 2, Nonincendive, Groups A, B, C, D  
Class II, Division 2, Nonincendive, Groups E, F, G  
Class III, Division 1, 2, Dust ignition proof, indoor/outdoor  
Hazardous (Classified) locations

Type 4X/IP67 (per NEC500)

ATEX: EX d IIC Gb T6/T1 Ta = -40°C to 65°C;

Ex tb IIIC T85°C/T450°C Db Ta = -40°C to 65°C; IP67

IECEX: II 2 G Ex d IIC Gb T6/T1 Ta = -40°C to 65°C; IP67

Other: NEPSI, Inmetro, EAC (TRCU) Russia, CRN, CPA, CE marking  
Probe complies with Canadian Electrical code requirements of ANSI/ISA 12.27.01-2011 as a single seal device

### SIL: SIL 1 compliant

SFF %

Single element types

Dual element types

	AC Powered	DC Powered
Single element types	79.8%	79.9%
Dual element types	88.9%	88.9%

### Calibration:

Performed on NIST traceable flow stands and equipment

## Flow Element

### Material of Construction

All-welded 316L stainless steel; Hastelloy-C optional

### Operating Pressure

**ST100, ST102, ST110, ST112 Insertion Style**

Metal ferrule: 1000 psig [70 bar(g)]

Teflon ferrule: 150 psig [10 bar(g)] (200 °F [93 °C] maximum)

Fixed connection NPT: 1000 psig [70 bar(g)]

Fixed connection flanged: per flange rating

**STP Models** See *pressure sensor specifications*

Same as ST type above or per pressure sensor specification, whichever is lower

**Model ST100L In-line style**

Tubing		Sch 40 Pipe		Sch 80 Pipe	
Psig	Bar(g)	Psig	Bar(g)	Psig	Bar(g)

F Style Sensor

1"

1 1/2"

2"

2400	165	2500	172	3000	207
		1750	121	2500*	172*
		1500	103	2250*	155*

S Style Sensor

1"

1 1/2"

2"

2400	165	2500	172	2500	172
		1750	121	2500*	172*
		1500	103	2250*	155*

\* 1 1/2" and 2" Sch 80 available by special order only; contact FCI  
3/4" pipe also available by special order

### Operating Temperature (Process)

**ST100, ST102 Insertion Style**

All Flow Elements (FPC, FP and S):

-40 °F to 350 °F [-40 °C to 177 °C]

-40 °F to 500 °F [-40 °C to 260 °C]

-40 °F to 850 °F [-40 °C to 454 °C]

**ST110, ST112 Insertion Style**

FP Style Flow Element:

-40 °F to 350 °F [-40 °C to 177 °C]

-40 °F to 500 °F [-40 °C to 260 °C]

**STP Series Insertion Style**

FP Style Flow Element:

Standard: 32 °F to 176 °F [0 °C to 80 °C]

Ex Rated: -22 °F to 212 °F [-30 °C to 100 °C]

Limited by pressure transducer; contact FCI for special order, higher temperature service

**ST100L In-line Style**

FP and S Style Flow Element:

-40 °F to 257 °F [-40 °C to 125 °C]

### Process Connection

**Compression Fittings** Models ST100 and ST102 only

3/4" or 1" male NPT, stainless steel with adjustable Teflon ferrule or metal ferrule; or flanged tapped and threaded for 3/4" fitting, ANSI or DIN flanges

Compression fittings not available with 850 °F [454 °C] temperature versions of ST100 or ST102

**Retractable Packing Glands**

Low pressure 50 psig [3,5 bar(g)] or medium pressure 500 psig

[34 bar(g)] with graphite or Teflon packing material; 1 1/4" male NPT or ANSI or DIN flange

Teflon packing required when process media is ozone, chlorine or bromine; remote mount required when medium pressure packing gland is required

**Fixed Fittings/All Welded**

1" male NPT or ANSI or DIN flange

ST100 Series specifications continued on next page

# ST100 Specifications Cont'd

## Insertion Length

Field adjustable lengths:

- 1" to 6" [25 mm to 152 mm]
- 1" to 12" [25 mm to 305 mm]
- 1" to 21" [25 mm to 533 mm]
- 1" to 36" [25 mm to 914 mm]
- 1" to 60" [25 mm to 1524 mm]

Fixed lengths from 2.6" to 60" [66 mm to 1524 mm]

## ST100L In-line Flow Tube

Flow element is welded to an in-line flow tube, calibrated and supplied as a spool-piece; options include low flow injection tubes and built-in Vortab flow conditioners for optimum low flow rangeability and performance

**Size:** 1" diameter tubing; 1", 1 1/2" or 2" schedule 40 pipe

**Length:** 9 nominal diameters

**Process Connections:** Female NPT, male NPT, ANSI or DIN flanges, or butt weld prepared

**Option:** Flanges sized for flow tube

## Remote Transmitter Configurations:

Transmitter may be mounted remotely from flow element using interconnecting cable (up to 1000' [300 m]); remote configuration required with medium pressure packing gland process connection

## STP Models: Specifications on Pressure Sensor

Standard Sensor	PSI	Bar	PSI	Bar	PSI	Bar	PSI	Bar
Pressure range	50	3,4	160	11	500	34	1000	70
Over pressure safety	100	7	290	20	1000	70	1740	120
Burst pressure	250	17,24	500	34	2500	172	7975	550
Wetted Materials:	316L PH 13-8 SS		316L 316L		316L 316L		316L 316L	
Connection Pressure Sensor								

Ex Rated Sensor	PSI	Bar	PSI	Bar	PSI	Bar	PSI	Bar
Pressure range	50	3,4	160	11	500	34	1000	70
Over pressure safety	240	16,55	1160	80	1160	80	1740	120
Burst pressure	290	20	1390	95,84	5800	400	7970	549,5
Wetted Materials:	Stainless steel Stainless steel		Stainless steel Stainless steel		Stainless steel SS and Elgilloy		Stainless steel SS and Elgilloy	
Connection Pressure Sensor								

## Flow Transmitter/Electronics

### Operating Temperature:

Single element models: -40°F to 150°F [-40°C to 65°C]

Dual element models: *ST102, ST112, STP102, STP112*  
-40°F to 120°F [-40°C to 49°C]

### Input Power

**AC:** 85 V to 265 Vac, 50 Hz to 60 Hz;

Single element: 10 watt; dual element: 13.1 watt maximum

**DC:** 24 Vdc ±20%;

Single element: 9.6 watt; dual element: 13.2 watt maximum

### Outputs

#### Analog

Standard: Three (3) 4-20 mA\*, 0-1kHz, or 0-10 kHz pulse/frequency  
4-20 mA outputs are user assignable to flow rate, temperature and/or if so equipped, pressure; outputs are user programmable to full flow range or subsets of full flow range; pulse/frequency output is user selectable as pulse for external counter/flow totalizer, or as 0-1 kHz or 0-10 kHz frequency representing flow rate

\* *Outputs are isolated and have fault indication per NAMUR NE43 guidelines, user selectable for high (>21.0 mA) or low (<3.6 mA)*

#### Digital

Standard: USB, Ethernet (for use in configuration and as service port)

Optional: HART (comes standard with analog outputs, V7 compliant)  
FOUNDATION Fieldbus H1, PROFIBUS PA or Modbus RS-485

### Auxiliary Inputs

4-20 mA input channel used for FCI administered special configurations to allow ST100 Series to accept inputs from external devices such as gas analyzers, gas composition or pressure sensors

## Enclosures

### Main Transmitter/Electronics:

NEMA 4X, IP67; polyester powder coated aluminum or optional in stainless steel; 4 conduit ports threaded as 1/2" NPT or M20x1.5; 7.74" x 5.40" x 5.00" [196,6 mm x 137,2 mm x 127 mm]

### Local Enclosure (Remote Configuration):

Model *ST100L*, Models *ST100* and *ST102* *without packing gland option:*

NEMA 4X, IP67; polyester powder coated aluminum; 2 conduit ports threaded as 1/2" NPT or M20x1.5; 3.75" x 4.00" x 3.24" [95 mm x 102 mm x 82 mm]

Models *ST100* and *ST102* *with packing gland option; ST110, ST112 and all STP Models:*

NEMA 4X, IP67; polyester powder coated aluminum; 1 conduit port threaded as 1" NPT or M20x1.5; 5.40" x 4.82" [137,2 mm x 122 mm]

*All models with stainless steel enclosure option:*

NEMA 4X, IP67; stainless steel; 1 conduit port threaded as 1" NPT or M20x1.5; 5.40" x 4.82" [137,2 mm x 122 mm]

## Data Logger

User programmable for readings per time increment to a maximum of 1 reading/second; removable, circuit board-mountable 2 GB micro-SD (secure digital) memory card supplied; stores approximately 21 M readings in ASCII comma-separated format

## Readout/Display and Optical Touch Buttons (Optional):

- Large 2" x 2" [50 mm x 50 mm] LCD; digital plus bar graph and engineering units
- Digital displays of flow rate, total flow, temperature and pressure (with STP models); user selectable for engineering units
- Analog bar graph of flow rate
- Alarm status indication
- User programmable 17 alphanumeric character field associated with each calibration group
- Set-Up & Service mode displays text and service codes
- Backlighting – backlight activated by proximity motion detection, or user may set for always on
- Four (4) optical touch buttons for user programming of instrument set-up and service interrogation
- Optical touch button activation through front window – no need to open enclosure to access or activate
- Display is electronically rotatable in 90° increments to optimize viewing angle

*Note: If readout/display not ordered, all user set-up and service interrogation must be done via computer link to bus comm and/or USB port.*

## Other Options

### Vortab Flow Conditioners

Available for all line size applications; standard choice with Model ST100L (in-line)

### Sun Shield

Shades main transmitter, electronics and display from direct sunlight; 316L stainless steel

FCI PN 023241-01 *Integral transmitter*

FCI PN 023237-01 *Remote transmitter*

### Ball Valves/Cable Glands

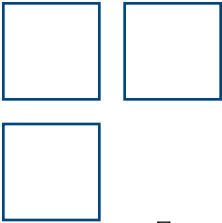
### Element Coatings and Materials

For service in highly corrosive gases or with erosive particulates, FCI can provide special coatings and wetted materials to protect the element and provide longer service life; examples include Kynar, Tantalum, and chromium carbide

### Certification and Testing Documentation

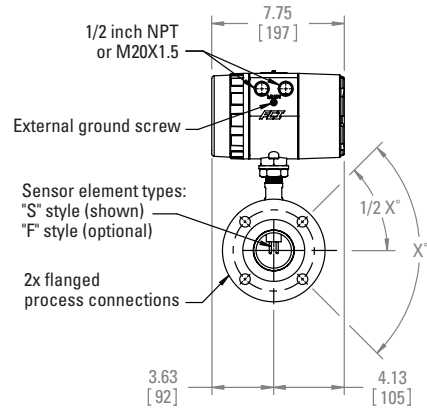
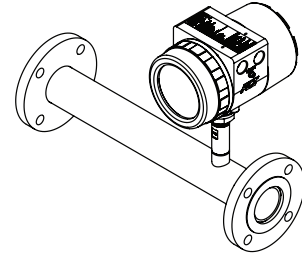
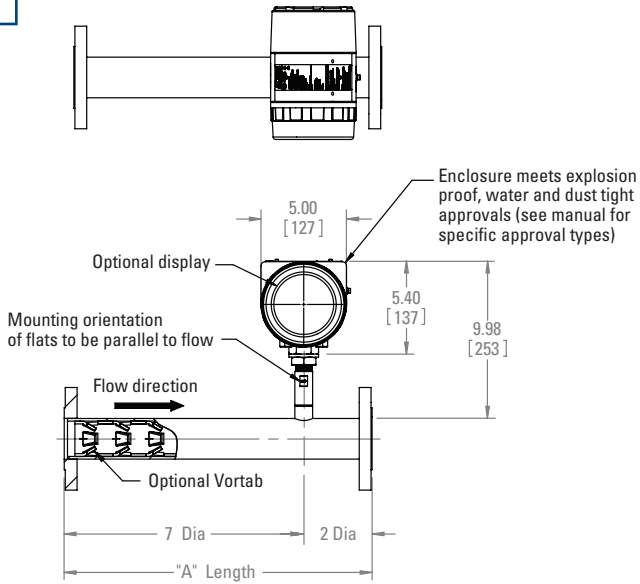
*Specifications at reference operating conditions of 70°F, 14.7 psia [21,1°C, 1013 bar(a)] and straight pipe run 20 d upstream, 10 d downstream*

*FCI is a continuous improvement company; specifications subject to change without notice*

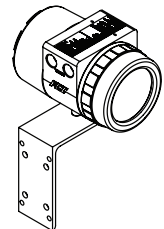
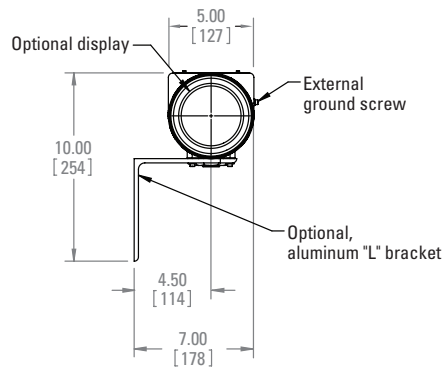
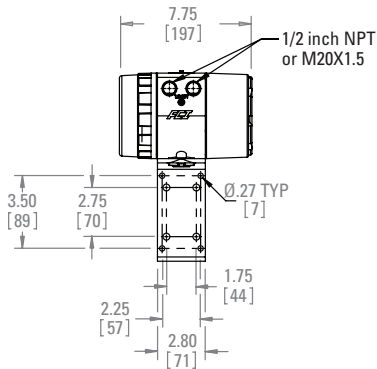
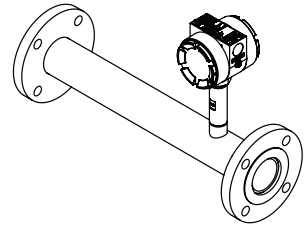
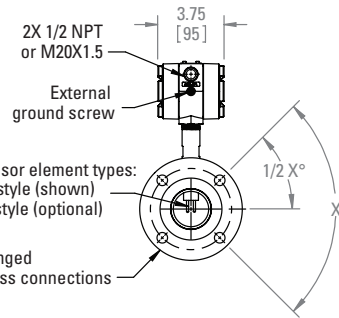
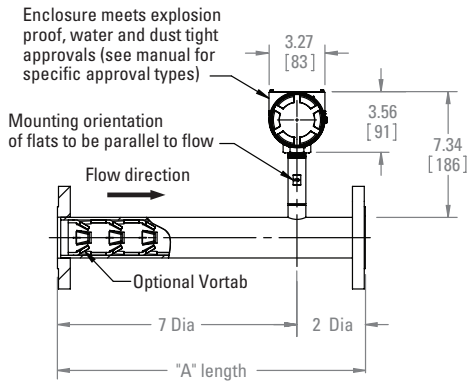


# Model ST100L In-Line Flow Meter

## Integral Configuration

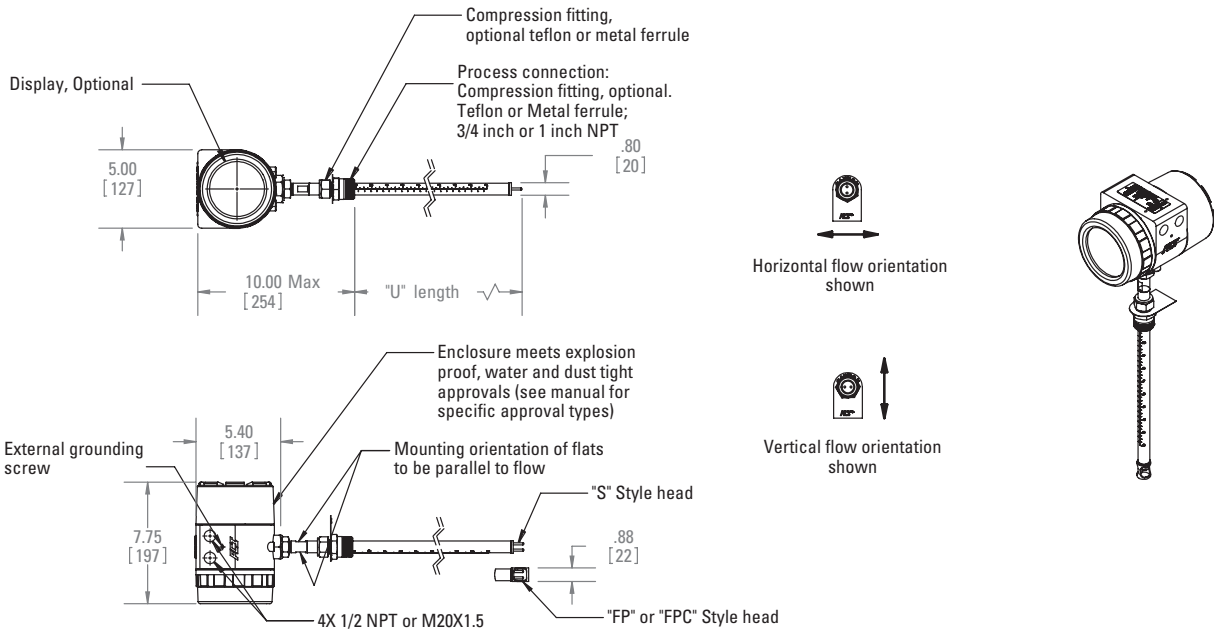


## Remote Transmitter



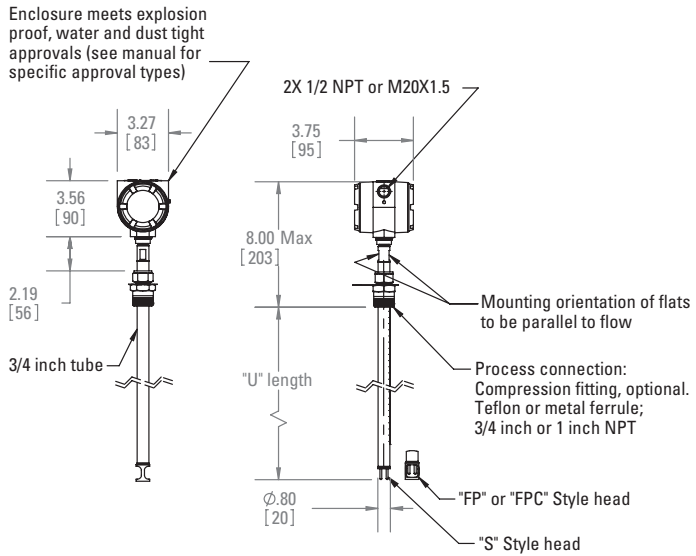
# Model ST100 Single-Point, ST102 Dual-Element Insertion Flow Meter

## Integral Configuration

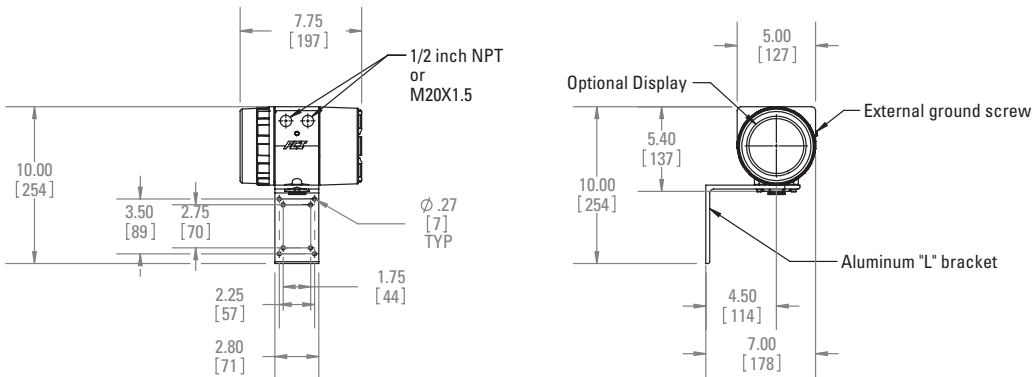
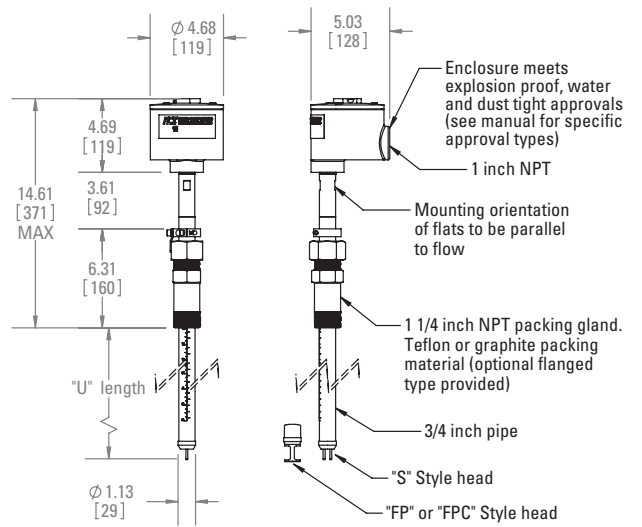


## Remote Transmitter

### With Ferrule Type Compression Fitting



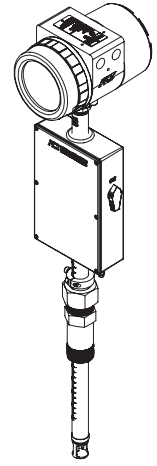
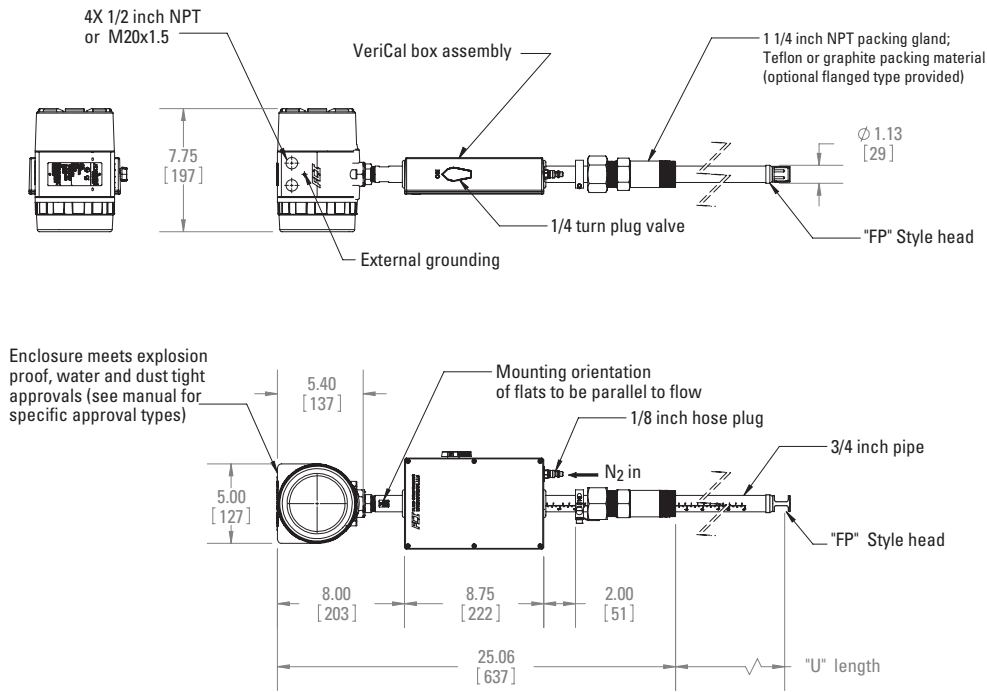
### With Packing Gland



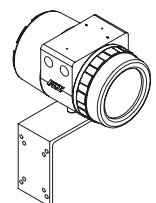
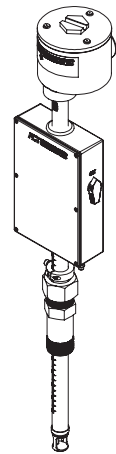
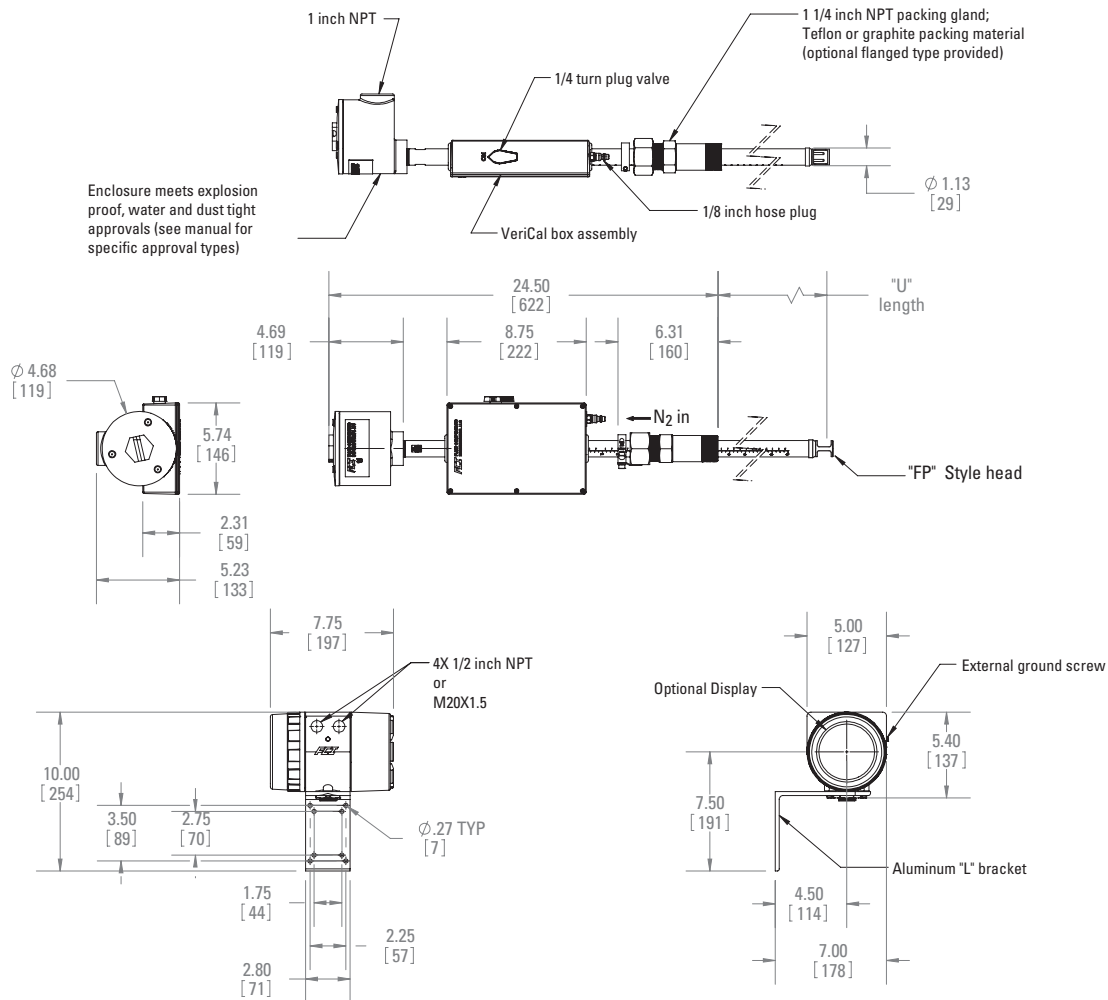


# Model ST110 Single-Point, ST112 Dual-Element Insertion Flow Meter

## Integral Configuration

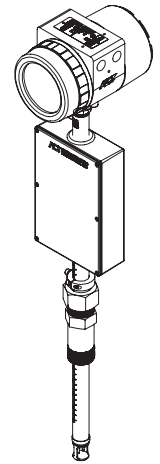
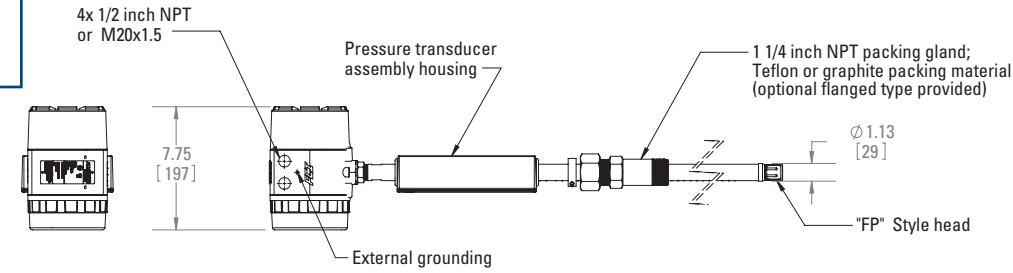
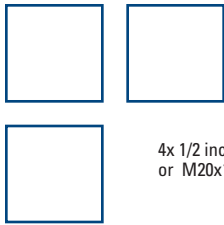


## Remote Transmitter

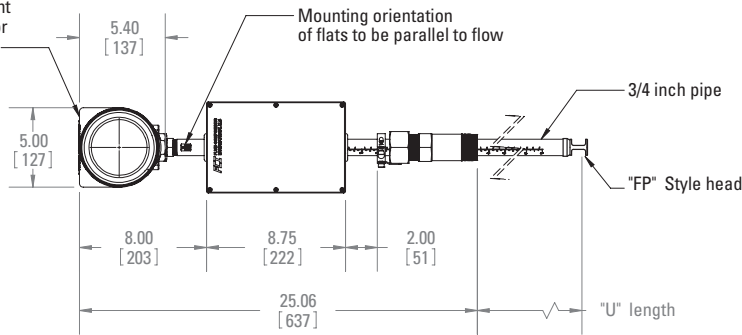


# Model STP100 Single-Point, STP102 Dual-Element Insertion Flow Meter

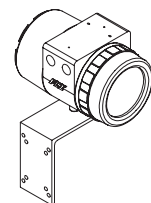
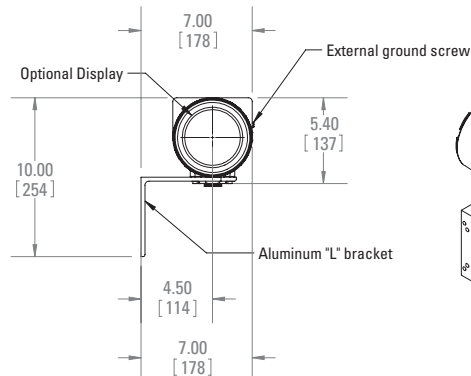
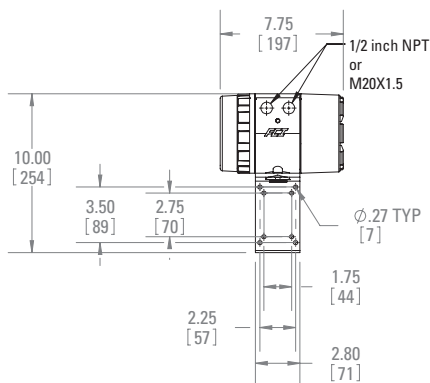
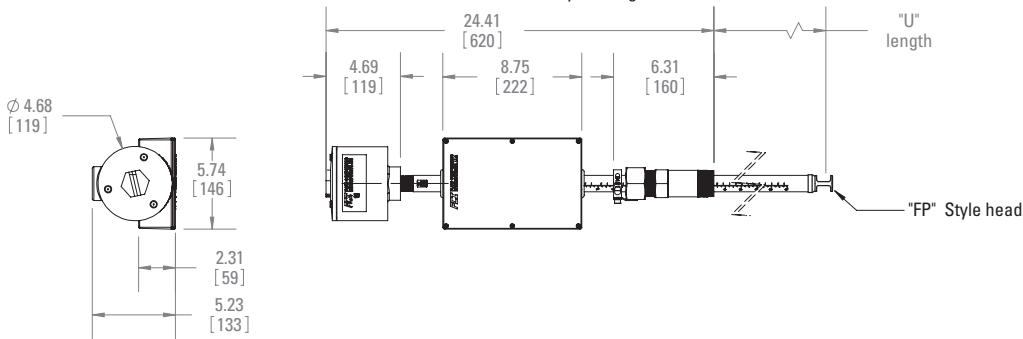
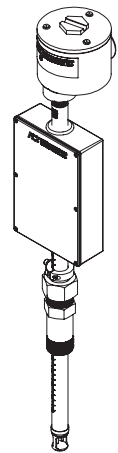
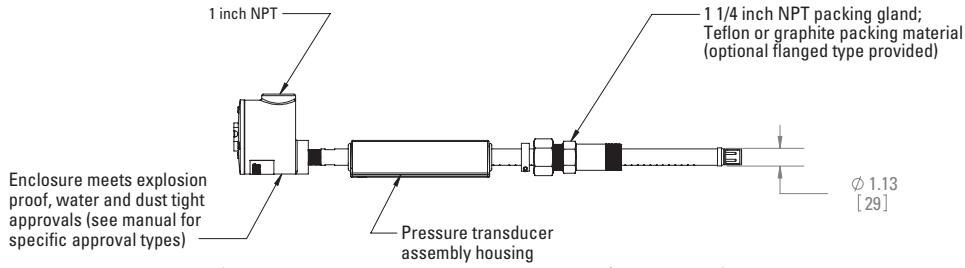
## Integral Configuration



Enclosure meets explosion proof, water and dust tight approvals (see manual for specific approval types)

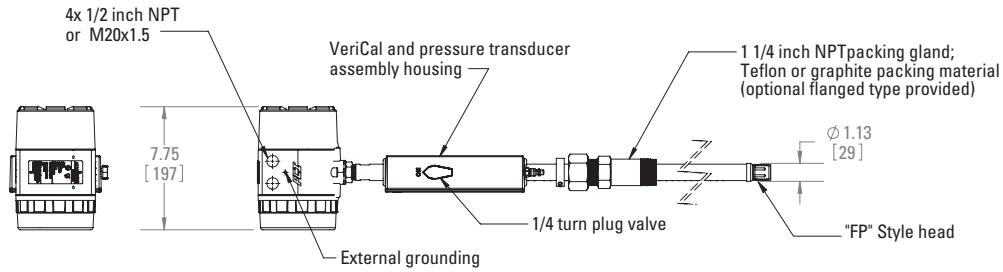


## Remote Transmitter

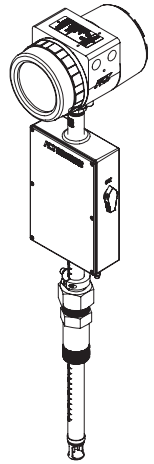
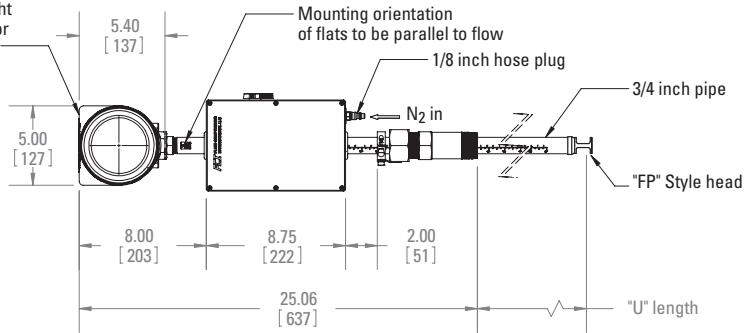


# Model STP110 Single-Point, STP112 Dual-Element Insertion Flow Meter

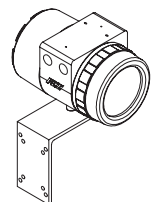
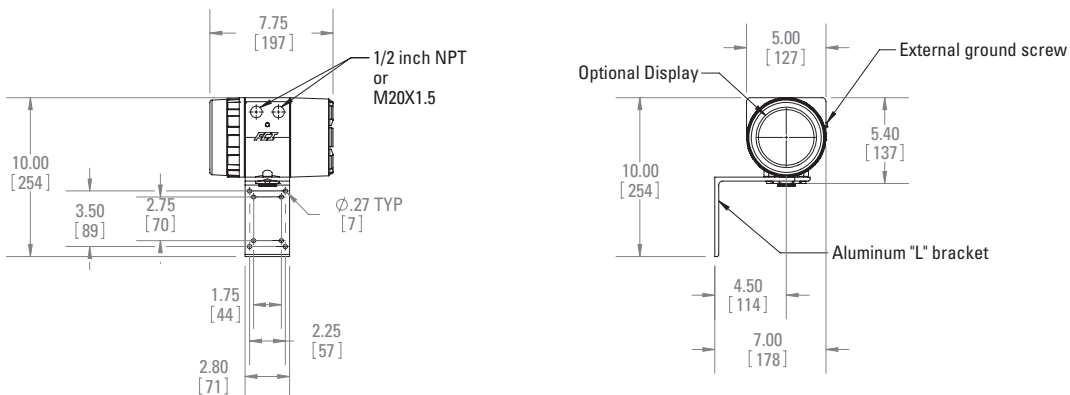
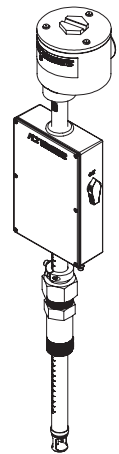
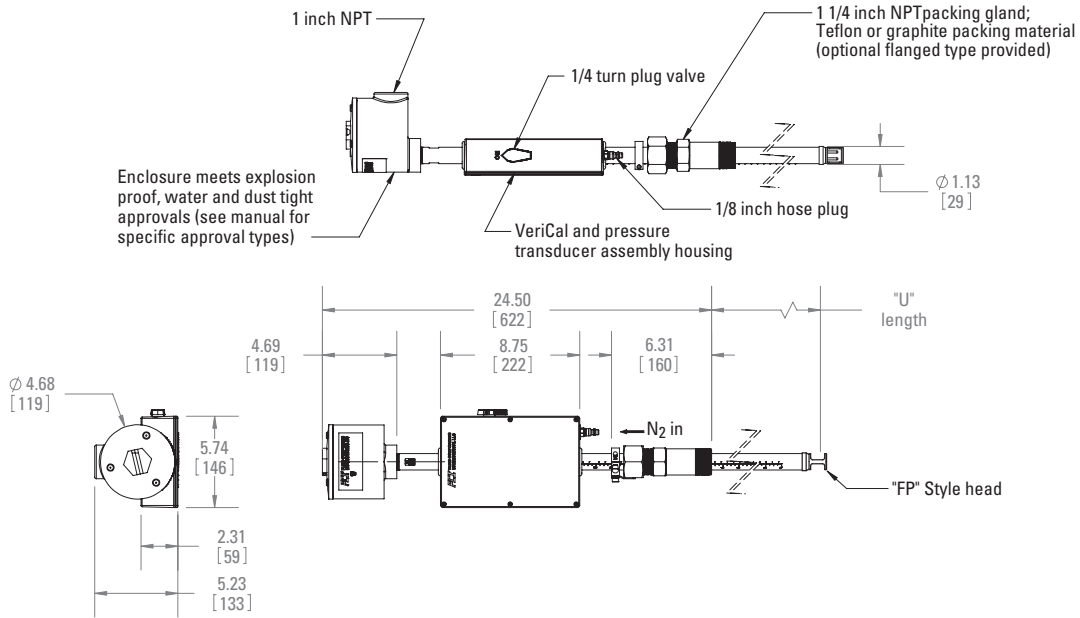
## Integral Configuration

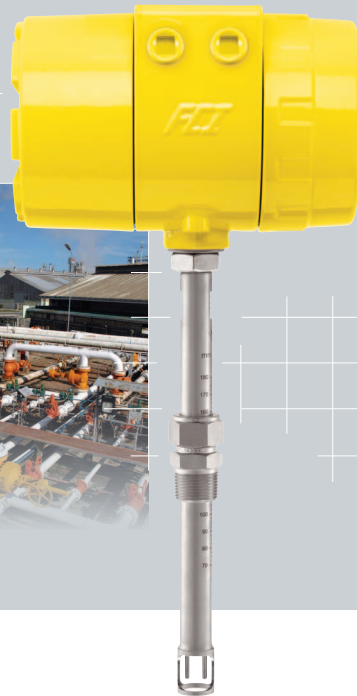
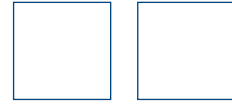
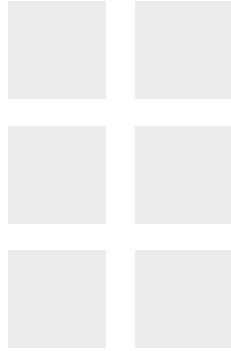


Enclosure meets explosion proof, water and dust tight approvals (see manual for specific approval types)



## Remote Transmitter





## **FCI** FLUID COMPONENTS INTERNATIONAL LLC

**Locally Represented By:**

**Visit FCI online at [www.FluidComponents.com](http://www.FluidComponents.com) | FCI is ISO 9001 and AS9100 Certified**

### **FCI World Headquarters**

1755 La Costa Meadows Drive | San Marcos, California 92078 USA

**Phone:** 760-744-6950 **Toll Free (US):** 800-854-1993 **Fax:** 760-736-6250

### **FCI Europe**

Persephonestraat 3-01 | 5047 TT Tilburg, The Netherlands | **Phone:** 31-13-5159989 **Fax:** 31-13-5799036

### **FCI Measurement and Control Technology (Beijing) Co., LTD | [www.fluidcomponents.cn](http://www.fluidcomponents.cn)**

Room 107, Xianfeng Building II, No.7 Kaituo Road, Shangdi IT Industry Base, Haidian District | Beijing 100085, P. R. China

**Phone:** 86-10-82782381 **Fax:** 86-10-58851152



0315 1000

Doc. No. 02MK011474 E

© Copyright 2010 by Fluid Components International LLC. All rights reserved. Manufactured in accordance with one or more of the following patents: US Patent Numbers: 4,981,368, 5,111,692, 5,117,216, 5,134,772, 5,152,049, 5,167,153, 5,780,737, 5,600,528, 5,913,250, 6,208,254, 6,340,243, 6,628,202, 6,843,110, 7,191,645; China Patent Numbers: ZL00815586.0, ZL03817053.1. FCI is a registered trademark of Fluid Components International LLC. Information subject to change without notice.

HART® is a registered trademark and FOUNDATION™ Fieldbus is a trademark of FieldComm Group