

xylem
Let's Solve Water



Pure Performance

FLYGT 1300 SERIES

FLYGT
a xylem brand



Available

EASY TO SELECT, QUICK DELIVERY, THE RIGHT PUMP FOR YOUR NEEDS

Outstanding Value

EFFICIENT, POWERFUL

Reliable

SOLIDS HANDLING, CONTINUOUS RUNNING

Readily available pure performance pumps

The Flygt™ 1300 series is a range of submersible pumps that deliver pure performance with outstanding value.

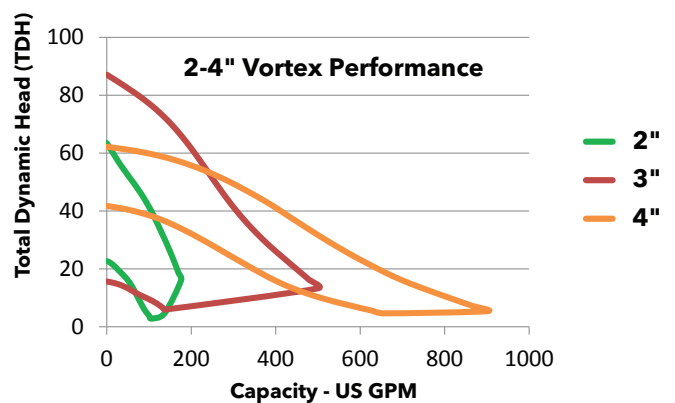
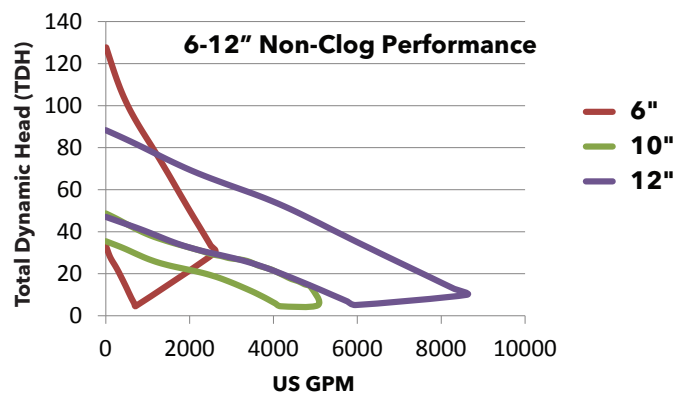
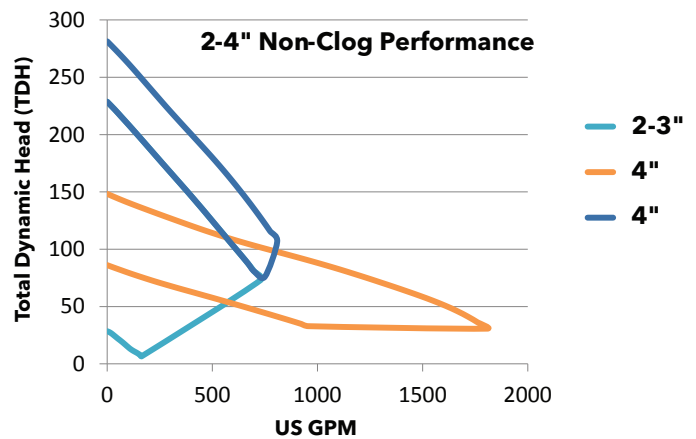
By combining performance and quality in a convenient, economical package the Flygt 1300 series ensures reliability and reduces downtime enabling your operation to run efficiently.

The Flygt 1300 series is based on technology developed and tested in tough municipal environments throughout the world. The hydraulic design of the pumps has been proven to reduce clogging and maintain efficiency when pumping wastewater.

Flygt 1300 series has an efficient air filled motor that is press fit into the motor housing to provide optimal heat transfer and cooling. The robust motor is rated for continuous duty delivering reliable operation in the most demanding applications.

The series is available in a wide range of discharge sizes up to 12" for non-clog and 2-4" in vortex configurations. There are also a wide range of easy to configure installation options to satisfy pump replacement, new install, or temporary installations.

The Flygt 1300 series pumps can be paired with a Flygt Pre-Engineered fiberglass lift station and Flygt monitoring and controls to form a complete worry free system.



Tough to beat

Robust

Components are made from robust materials for long life and easy maintenance.

Powerful

The motor is specifically designed for reliable operation in submersible applications. It can run continuously without overheating – a true workhorse.

Durable

Heavy-duty bearings with long life provide peace of mind.

Environmentally friendly

The cooling system is designed to use the surrounding media to cool the pump, rather than environmentally hazardous fluids.

Safe and straightforward

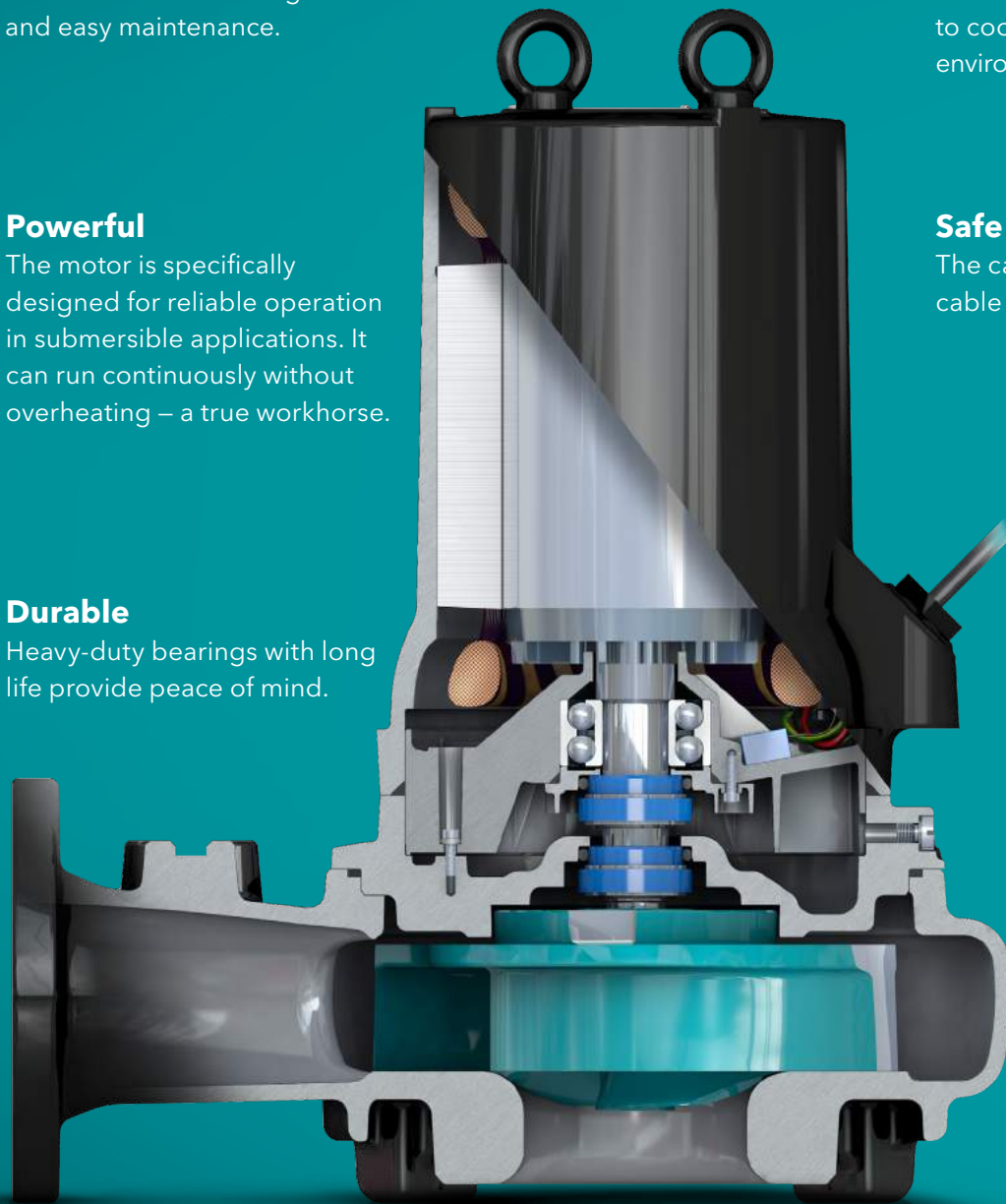
The cable entry prevents both cable strain and leakage.

Smooth

The double mechanical seal provides extra reliability and protects against leakage.

Flexible

Drilled pump housing, ready for any installation method.



Available | Outstanding Value | Reliable



1305 Non-clog
 Horsepower: 1.2-1.7 HP
 RPM: 3500
 Max flow: 190 GPM
 Max pressure: 40' TDH
 Outlet 2"



1310 Non-clog
 Horsepower: 2.4-3.8 HP
 RPM: 3500
 Max flow: 285 GPM
 Max pressure: 85 TDH
 Outlet 2-2.5"



1315 Non-clog
 Horsepower: 3.1-6.5 HP
 RPM: 1750/3500
 Max flow: 850 GPM
 Max pressure: 100' TDH
 Outlet 2.5-4"



1320 Non-clog
 Horsepower: 4.7-11 HP
 RPM: 1750/3500
 Max flow: 1180 GPM
 Max pressure: 145' TDH
 Outlet 3-4"



1325 Non-clog
 Horsepower 10.3-20 HP
 RPM: 1750
 Max flow: 1970 GPM
 Max pressure: 80' TDH
 Outlet 3-6"



1330 Non-clog
 Horsepower: 20-38 HP
 RPM: 3500/1750/1150
 Max flow: 4300 GPM
 Max pressure: 250' TDH
 Outlet 4-10"



1335 Non-clog
 Horsepower: 30-78 HP
 RPM: 1750/1150
 Max flow: 8200 GPM
 Max pressure: 190' TDH
 Outlet 6-12"

Application areas

Municipal:

- Domestic sewage pumping stations
- Wastewater pumping stations
- Retention basins
- Storm water pumping stations



1305 Vortex
 Horsepower: 1.2-1.7 HP
 RPM: 3500
 Max flow: 130 GPM
 Max pressure: 33' TDH
 Outlet 2"



1310 Vortex
 Horsepower: 1.6-3.8 HP
 RPM: 3500
 Max flow: 260 GPM
 Max pressure: 61' TDH
 Outlet 2-2.5"



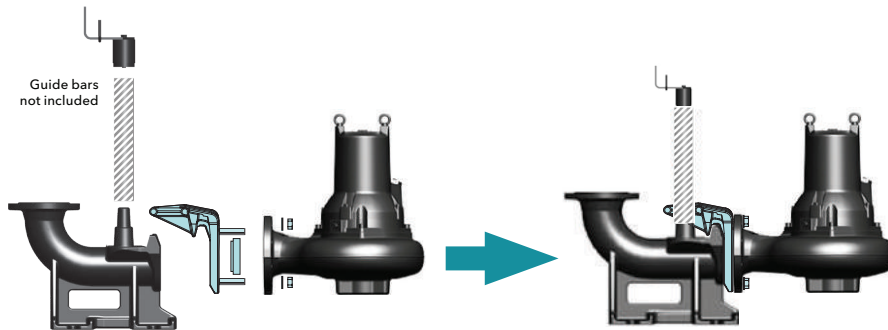
1315 Vortex Horsepower
 10.3-20 HP
 RPM: 3500/1750
 Max flow: 650 GPM
 Max pressure: 60' TDH
 Outlet 2.5-4"



1320 Vortex
 Horsepower: 6-11 HP
 RPM: 3500/1750
 Max flow: 890 GPM
 Max pressure: 87' TDH
 Outlet 3-4"

Installation methods and accessory kits

The Flygt 1300 series is designed to fit your needs. You start with a bare pump and order the right kit depending on your desired installation method.



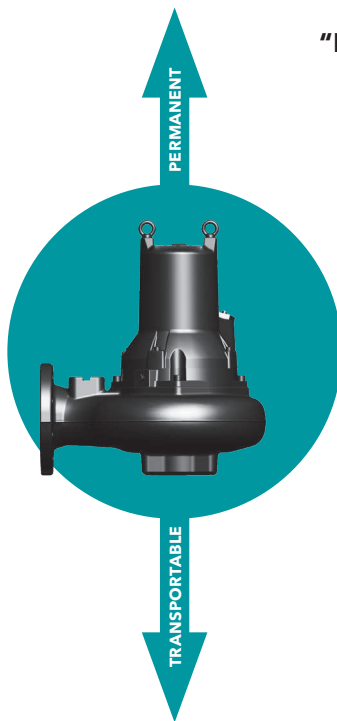
"P" Installation

Wet-well Installation Kit

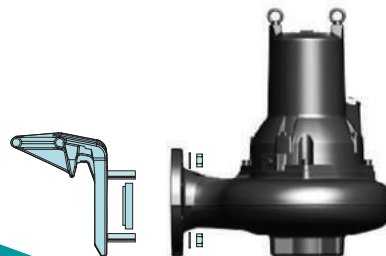
The pump is installed with twin guide bars on a discharge connection.

Kit contents:

- Upper guide bar bracket with bolts
- Discharge connection
- Anchor bolts
- Sliding bracket kit that includes: Sliding bracket, seal ring, studs, nuts, bolts & washers



UPGRADE

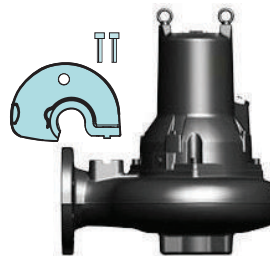


Replacement kit

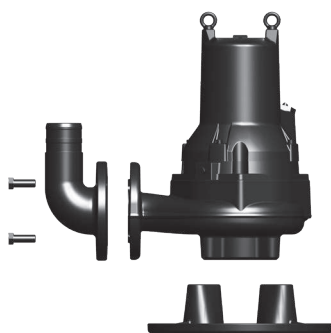
Simple kit to replace an old pump or upgrade to a larger model

Kit contents either:

- Sliding bracket, seal ring, studs, nuts & washers
- Sliding bracket & 4 bolts



TRANSPORTABLE



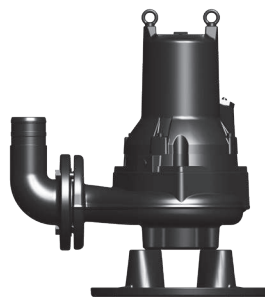
"S" Installation

Free-standing kit

Ideal for portability

Kit contents:

- Hose connection with gasket, bolts, nuts & washers
- Stand with screws & washers



Maintenance & repair

Prolong the life of your pump by utilizing our maintenance and repair kits. We have packaged everything you need into kits, making it even easier for you to overhaul the motor, or replace a cable or impeller.



Cable kit

The cable and cable entry are crucial components to keep the motor running and prevent leakage into the motor housing. The cable kit provides all parts needed to replace a cable and make the job as easy as possible.

Kit contents:

- Cable
- Cable sleeve unit
- Cable end-splice and lug



Motor kit

The Motor kit contains all the critical parts needed to perform an overhaul of the motor.

Kit contents:

- Bearings
- Mechanical seals
- O-rings



Impeller kit

It is important that the impeller is in good condition to ensure reliability, sustained efficiency and consistent performance. The impeller kit contains all parts needed to replace an impeller, including the adjustable sleeve, making it easy to mount the impeller in the optimal position.

Kit contents:

- Impeller
- Impeller sleeve/key
- Screw and washer

Xylem ['zīləm]

- 1) The tissue in plants that brings water upward from the roots;
- 2) a leading global water technology company.

We're 12,000 people unified in a common purpose: creating innovative solutions to meet our world's water needs. Developing new technologies that will improve the way water is used, conserved, and re-used in the future is central to our work. We move, treat, analyze, and return water to the environment, and we help people use water efficiently, in their homes, buildings, factories and farms. In more than 150 countries, we have strong, long-standing relationships with customers who know us for our powerful combination of leading product brands and applications expertise, backed by a legacy of innovation.

For more information on how Xylem can help you, go to www.xylem.com



xylem
Let's Solve Water www.xylem.com

Flygt is a trademark of Xylem Inc. or one of its subsidiaries.
© 2019 Xylem, Inc. JULY 2019