



# Xeramic™ High Efficiency Ceramic Diffuser

LIFELONG RELIABILITY. SIMPLE TO MAINTAIN.



**SANITAIRE**

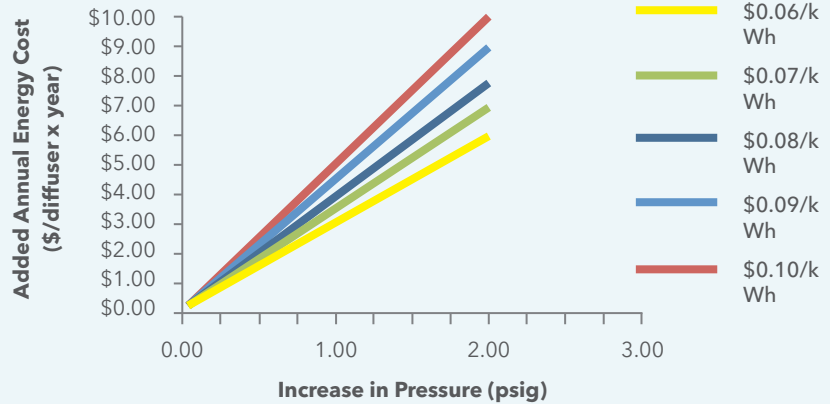
a xylem brand

Sanitaire Xeramic fine bubble ceramic diffuser has the highest oxygen transfer efficiency compared to other ceramic diffusers – saving you up to 30% in energy costs.

### Effect of Increased Pressure on Operating Cost

0.5 psi increase  
costs you  
**\$3** per  
year/diffuser.

If you have  
10,000 diffusers  
this is  
**\$30K** a year.

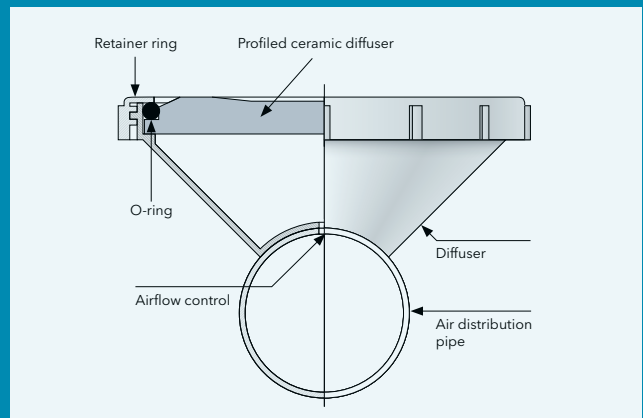


### Increased oxygen transfer efficiency (OTE) lowers energy costs

- **Improving the “proven”.** Xeramic aeration system’s advanced design takes the proven technology of ceramic fine bubble diffusers and makes it better, increasing OTE by up to 10% versus your standard ceramic diffusers.
- **Reliability with less energy.** Perfect for continuous operations. Higher OTE reduces the power consumption of your blowers. That’s savings that pays you back immediately - and year after year.
- **One to four year payback** is what you can expect when you replace your old diffusers with new Xeramic diffusers. Xeramic diffusers have comparable or better SOTE values than membrane type diffusers. Therefore, Xeramic diffusers are more economical on a 20-year life-cycle period on the basis that the diffusers will not need to be replaced every 7-10 years like most membrane discs.
- **How much exactly will you save?** Send us your some of your old diffusers, and let Sanitaire experts at our Brown Deer research and testing facility give you a free analysis. We will determine how much you should save so you can see the value for yourself.

### Easy Installation

- **No need to replace all the header piping.** Xeramic diffusers fit in your existing holders, making installation quick and saving money on labor costs.



# Safe and easy cleaning restores efficiency and extends life

Sanitaire Xeramic diffuser system can be complimented by a new, simplified cleaning system that uses a mild liquid cleaning agent. This system makes cleaning and maintaining your new diffusers safe and easy.

✓ **Restore diffuser discs to like-new condition.**

Fouled diffusers result in increased pressure and higher air requirements, requiring much more energy to operate. With Sanitaire's new liquid cleaning system, Xeramics diffusers can be restored to like-new condition, keeping your energy costs low.

✓ **Extend life of diffusers.** No need to replace Xeramic diffusers because of fouling or wear, so your life cycle costs remain low. Compare that to membranes that wear out and have to be replaced in 7 to 10 years.

✓ **Simplified cleaning system is easy to operate and maintain.**

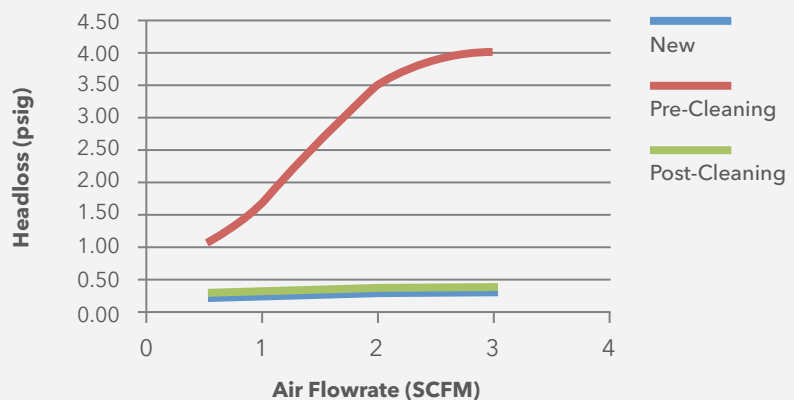
The liquid cleaning agent is easy to handle, and the feed system is simple and direct. It takes the hassle and the worry out of cleaning the diffusers for routine maintenance.

✓ **Maintain treatment capacity even during cleaning.**

With the new cleaning system, diffusers can be cleaned while the system stays in operation. No need to shut down a basin for cleaning. Schedule cleaning when you need it, not when you can spare a basin.

Xylem took the reliability and treatment quality of the ceramic disc aeration systems and made it better with Xeramic diffusers. Greater energy savings, lowest life cycle costs, and safer operations, all backed by the process expertise of Xylem and its suite of premium products - that is the Xylem commitment.

Effect of Diffuser Cleaning on Headloss @ an MBR Plant with Ceramic Diffusers



# How else can Xylem help you?

## TotalCare® keeps your system in peak condition



Design & Consultancy



Installation & Commissioning



Maintenance Contracts



Repair & Maintenance



Monitoring & Supervision



Inspection & Auditing



Plant Operation & Maintenance



Parts & Logistics



Rental & Onsite Services



Asset Refurbishments



Training & Technical Support

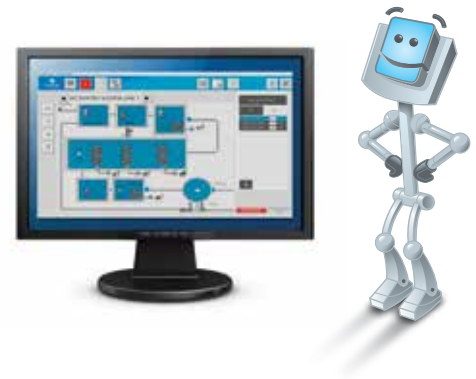


Financial Solutions

Xylem TotalCare is a comprehensive, integrated portfolio of services designed to ensure that your water and wastewater equipment keeps running at its best. Our team of knowledgeable and highly skilled technicians pride themselves on their ability to help customers optimize their operations by providing the right solution every time.

## OSCAR™ process performance optimizer expands the tools available to efficiently operate your entire biological treatment process.

Consider adding Sanitaire's OSCAR™ process performance optimizer to your plant and look beyond the energy efficiency of just your aeration system to the entire health of your biological treatment process, including real time wastewater process measurement, intelligent control and automated reports.



Sanitaire is a brand of Xylem, whose 12,000 employees are addressing the most complex issues in the global water market.

[www.xyleminc.com](http://www.xyleminc.com)

Xylem, Inc.  
9333 N. 49th St.  
Brown Deer, WI 53223  
Tel 414.365.2200  
Fax 414.365.2210