

SCREENMASTER® CS

Wastewater Bar Screen

The SCREENMASTER® CS provides efficient cleaning of a bar screen rack and removal of solids from rectangular channel installations. This versatile unit is simple in design but highly efficient in operation, requiring minimal power to operate. This unit employs a front clean/ front return principle. It's easy to install in new or existing channels. The unit installs at a 75° inclination so it has a very small footprint.

Operation

The design features a simple, continuous rotary motion. As the rake head passes through the bar slots collecting debris, it travels up the unit's dead plate until it reaches a special scraper supplied with a dash pot for smooth operation. The screenings then drop out the unit's discharge chute. The screenings can be processed by a SPIRALIFT® SC Screenings conditioner/washer or be deposited in a bin or auxiliary conveyor.



Simple Design | Automatic Control System | Requires Minimal Power
Simple Continuous Rotary Motion | Front Clean/Front Return



The SCREENMASTER rake heads are built with comb-like trapezoidal fingers which insert between the bar rack slots to positively clear them of debris. Each rake head is provided with a low friction plastic insert for low vibration even in dry operation.

www.franklinmiller.com

Configuration

The SCREENMASTER CS is supplied complete with an S320 Program Controller which activates on a timed basis or when a high level is indicated by a supplied level sensor. This highly efficient unit is provided with between a 3/4 HP and 1-1/2 HP motor and drive, dependent on the unit size. This unit is custom built for any channel width up to 78" wide (2 m) and for a lift height of up to 38 ft. (11.6 m).



Franklin Miller
SEE THE DIFFERENCE

SCREENMASTER CS WASTEWATER BAR SCREEN

S320 Automatic Controller:

The S320 is a PLC-based control system supplied complete with a VFD, rotary disconnect switch, panel mounted E-Stop, level-controlled as well as a timer cycle, HMI for easy user adjustments, ultra-bright sunlight visible LED indicators, NEMA rated enclosure, U.L. 508A labeled panel and more.

Perforated Screen Option

The SCREENMASTER is available with an optional perforated plate instead of the bar rack. The perforated plate option achieves finer screening and higher capture rates. A brush and wiper combination is provided to clean the debris from the perforated screen.



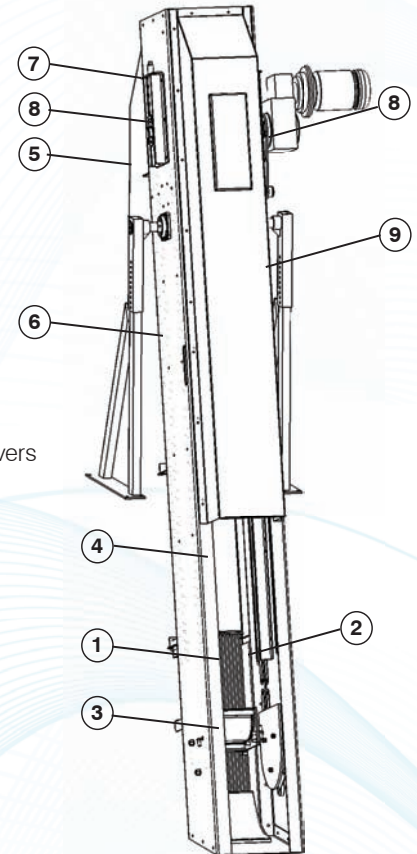
Below: Optional SPIRALIFT SC Washer/Compactor.



SCREENMASTER CS installations

Dimensions

1. Bar Rack – available in AISI304 or AISI316 stainless steel
2. Extended pitch (150 mm – 6") chain with rollers dia. 70 mm
3. AISI304 solid rake with trapezoidal teeth and 10 mm thick (3/8") HDPE runners
4. Deadplate
5. AISI304 discharge cover – 3 mm (10 ga.) with hinged inspection covers
6. AISI304 main frame 6 mm (1/4")
7. AISI304 wiper
8. Drive: helical bevel gear drive
9. Adjustable pivoted support



Call one of our customer service representatives to discuss your particular application.